



3SE7 SIGUARD Rope-Operated Switches

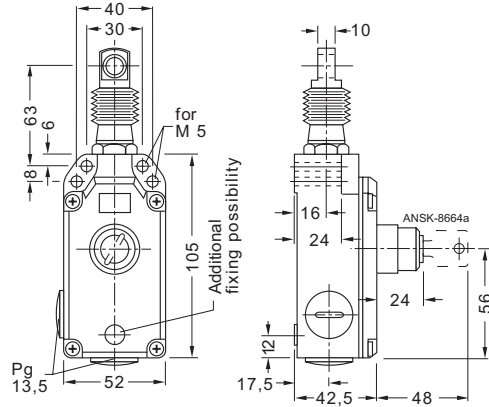
Dimensions

1
2
3
4
5
6
7

8

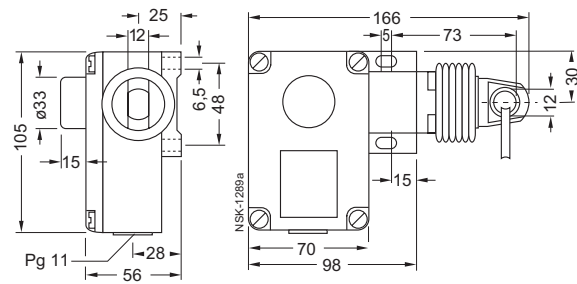
Metal-enclosed

3SE7 150-1CD



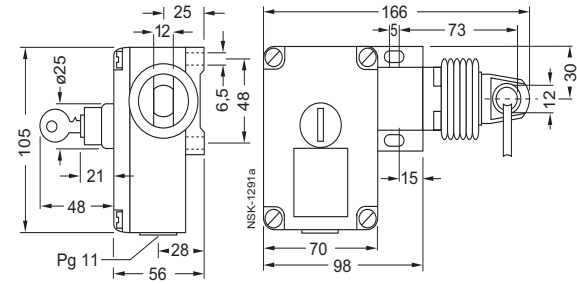
with latching, pressure unlatching and key unlatching

3SE7 140-1BD, 3SE7 140-1BF



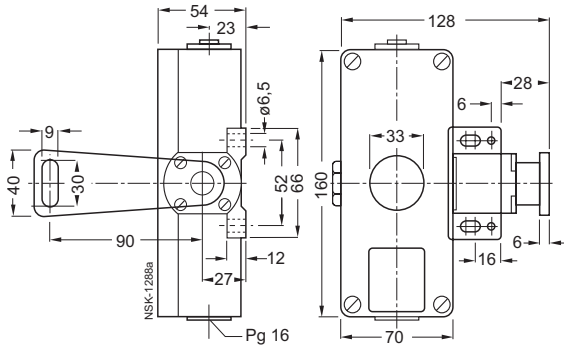
with latching and pressure unlatching

3SE7 140-1CD



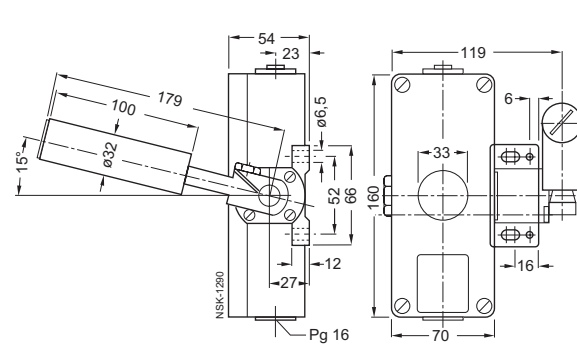
with latching, pressure unlatching and key unlatching

3SE7 160-1AE



with latching and pressure unlatching

Conveyor belt unbalance protection device 3SE7 310-1AE



with latching and pressure unlatching

3SE6 SIGUARD Magnetic Supervisory Systems 3SB3 8 SIGUARD Two-Hand Operation Consoles

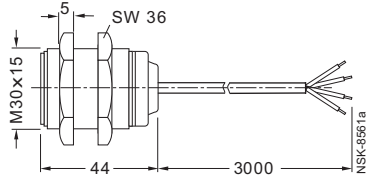


Dimensions

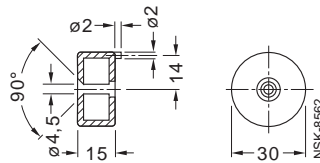
3SE6 SIGUARD magnetic switches

Round sensor units

Switch block 3SE6 605-1BA



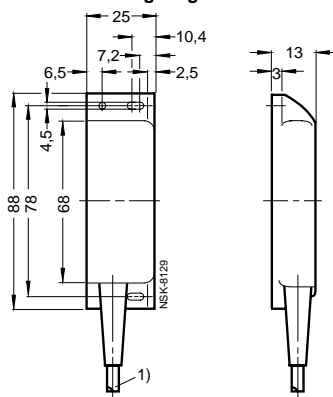
Coded switching magnet 3SE6 704-1BA



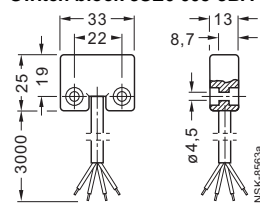
Rectangular sensor units

Switch block 3SE6 605-2BA

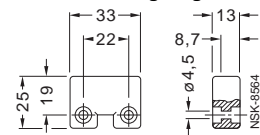
Coded switching magnet 3SE6 704-2BA



Switch block 3SE6 605-3BA

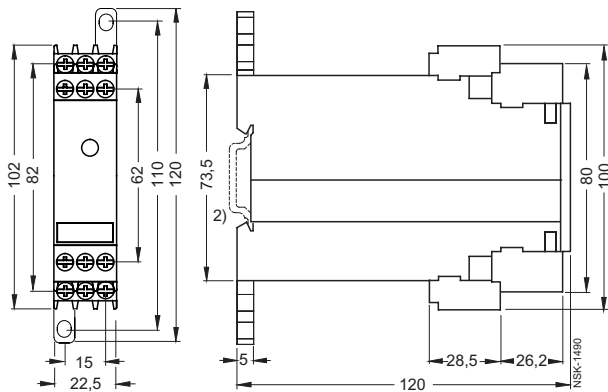


Coded switching magnet 3SE6 704-3BA

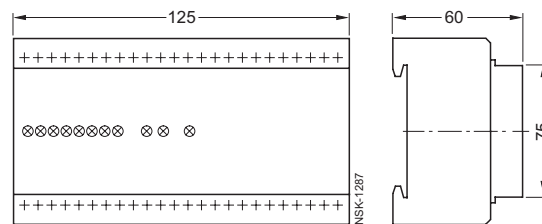


Monitoring units

3SE6 801-1CC

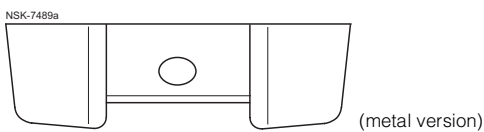
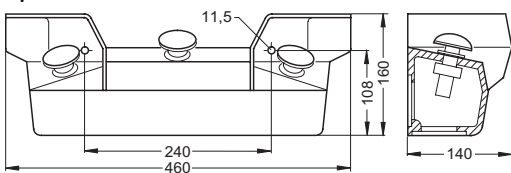


3SE6 808-6DB

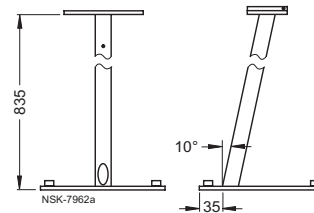


3SB3 8 SIGUARD two-hand operation consoles

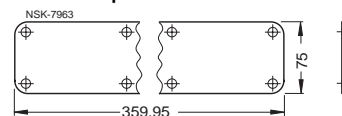
Operation console



Stand 3SB39 01-0AQ



Metal base plate 3SB39 01-0AP



- 1) Cable (3000 mm long) only for 3SE6 605-2BA.
- 2) For 35 mm standard rail acc. to EN 50 022.



3SE3 9 SIGUARD Foot Switches

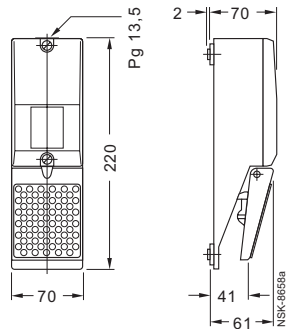
Dimensions

1
2
3
4
5
6
7
8

3SE3 9 SIGUARD foot switches

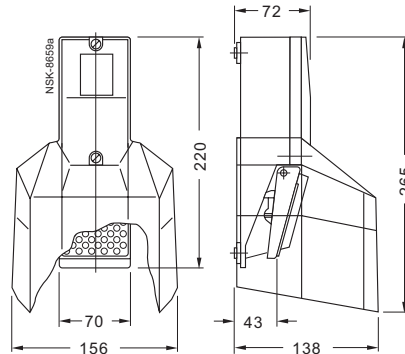
Metal enclosure

3SE3 902-0AB20, 3SE3 903-1AB20, 3SE3 912-2AB20



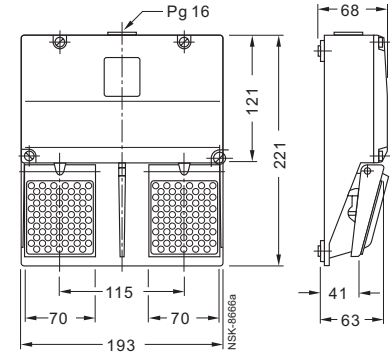
Foot-operated pushbutton, one pedal, foot switch without cover

3SE3 902-0AA20, 3SE3 903-1AA20, 3SE3 912-2AA20



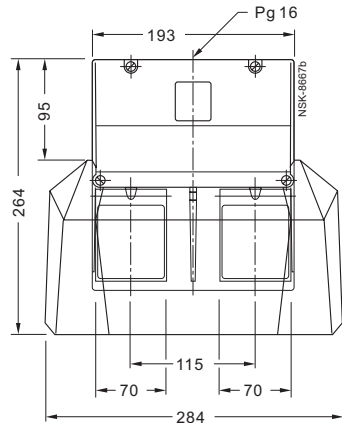
Foot-operated pushbutton, one pedal, foot switch without cover

3SE3 932-0AB20, 3SE3 932-1AB20



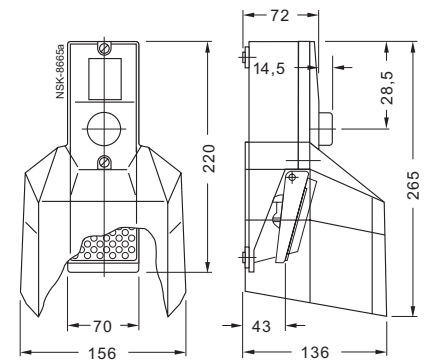
Foot-operated pushbutton, two pedals without cover

3SE3 932-0AA20, 3SE3 932-1AA20



Foot-operated pushbutton, two pedals, with cover

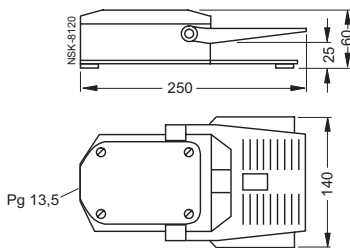
3SE3 924-3AA20



SIGUARD safety foot switch with unlatching button

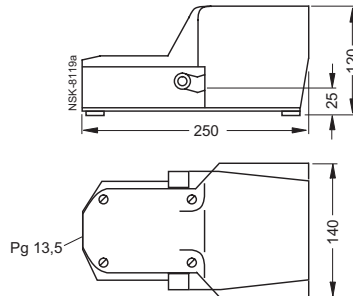
Moulded-plastic enclosure

3SE3 902-0CB



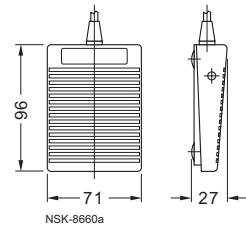
Foot-operated pushbutton, one pedal, without cover

3SE3 902-0CA



Foot-operated pushbutton, one pedal, with cover

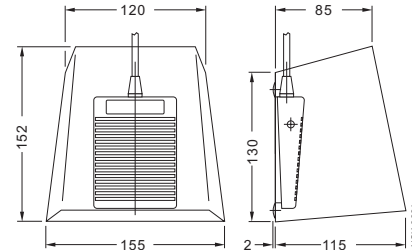
3SE3 902-4CB20



Foot-operated pushbutton, one pedal, without cover

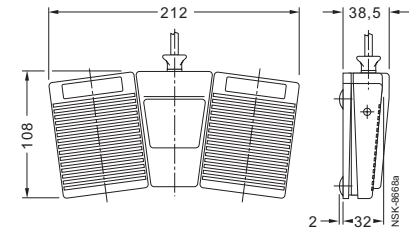
Siemens NS K · 2000

3SE3 902-4CA20



Foot-operated pushbutton, one pedal, with cover

3SE3 934-5CB20



Foot-operated pushbutton, two pedals, without cover

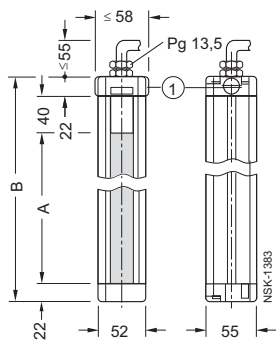
3RG78 4 SIGUARD Safety Light Curtains



Dimensions

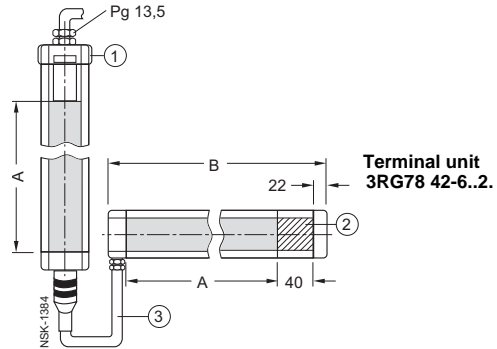
3RG78 SIGUARD safety light curtains

Standard light curtains 3RG78 42-6..0.

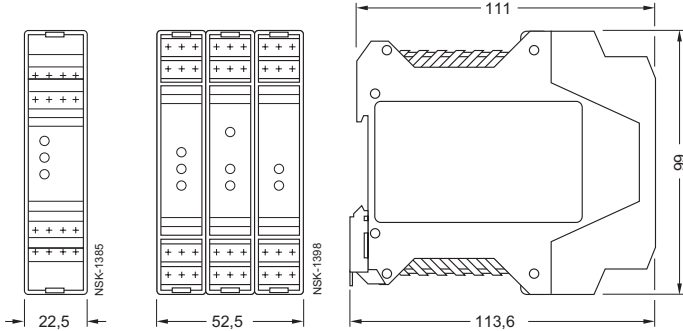


- ① Pg 9 sealing cap
- ② No active protective field
- ③ Connecting cable (400 mm long) incl. plug (100 mm long, plug-in area 135 mm), DIN 43 651
- A Depth of protective field (see page 8/62)
- B Overall length = protective field A + 84 mm

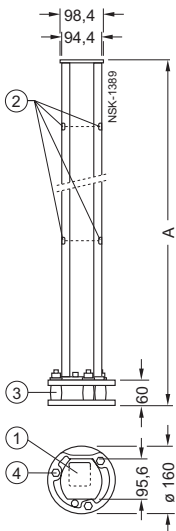
Master with slave connection 3RG78 42-6..1.



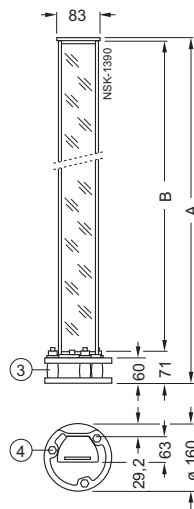
Evaluation units Standard 3RG78 47-4BB Muting 3RG78 47-4BF



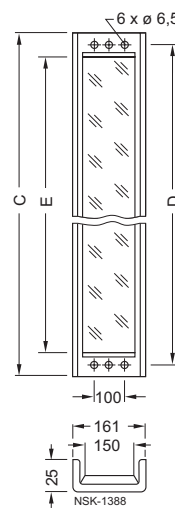
Fixing column 3RG78 48-0C.



Reflective mirror column 3RG78 48-0D.



Reflective mirror 3RG78 48-0E.



- ① Light curtain
- ② 8 drilled holes, Ø 16 mm
- ③ Plastic spring element with return action
- ④ 3 drilled holes in floor for wall plugs, Ø 10 mm, depth 80 mm

Type	A	B
3RG78 48-0.L	1060	974
3RG78 48-0.P	1360	1274
3RG78 48-0.R	1660	1574
3RG78 48-0.U	1960	1874

Type	C	D	E
3RG78 48-0ED	480	460	410
3RG78 48-0EE	580	560	510
3RG78 48-0EF	695	675	625
3RG78 48-0EG	810	790	740
3RG78 48-0EH	900	880	830
3RG78 48-0EJ	1000	980	930
3RG78 48-0EK	1100	1080	1030
3RG78 48-0EL	1195	1175	1125
3RG78 48-0EM	1290	1270	1220
3RG78 48-0EN	1435	1415	1365
3RG78 48-0EP	1580	1560	1510
3RG78 48-0EQ	1720	1700	1650
3RG78 48-0ER	1900	1880	1830



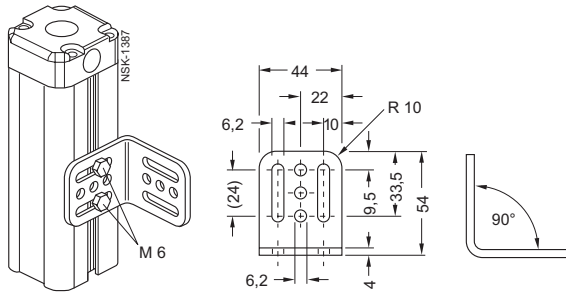
3RG78 SIGUARD Safety Light Curtains and Barriers

3RG78 5 SIGUARD Safety Switch Strips

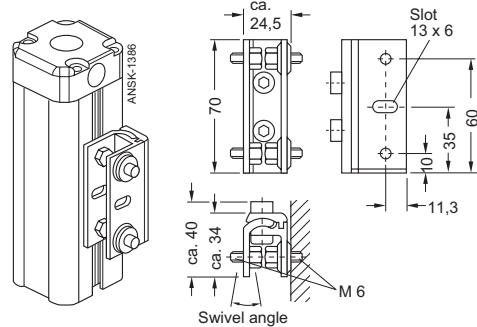
Dimensions

3RG78 4 SIGUARD safety light curtains

Standard fixing bracket
(incl. in scope of supply)

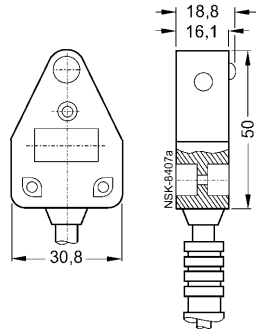


Bracket 3RG78 48-0BB,
swivel-type with vibration damping

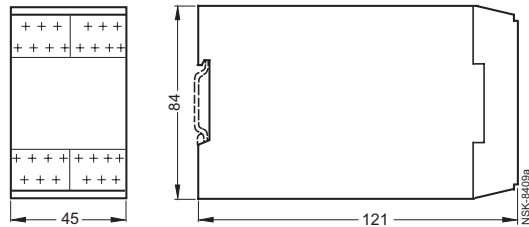


3RG78 2 SIGUARD safety light barriers

3RG78 21

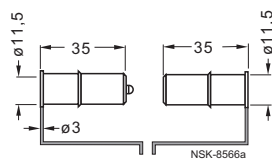


Monitoring units 3RG78 26

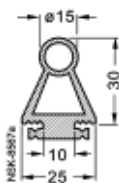


SIGUARD safety switch strips

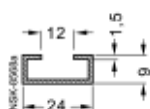
Send/receive sensors 3RG78 55-1R.



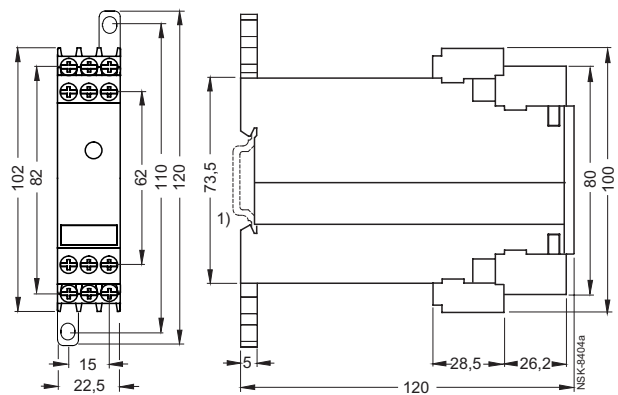
Sensor block 3RG78 55-2B.



Mounting block 3RG78 55-3B.



Evaluation unit 3RG78 57-1BD.



1) For 35 mm standard rail acc. to EN 50 022.

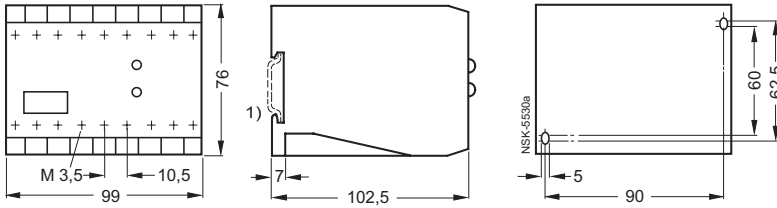
3TK28, 3TK29 SIGUARD Safety Combinations



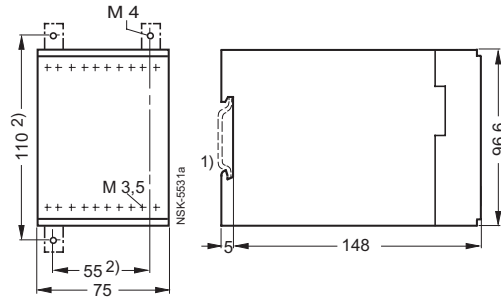
Dimensions

3TK28/29 SIGUARD contactor combination

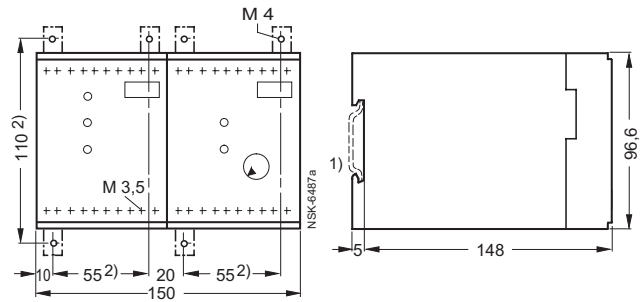
3TK28 01, 3TK28 02



3TK28 03, 3TK28 04, 3TK28 06,
3TK28 11, 3TK28 15, 3TK29

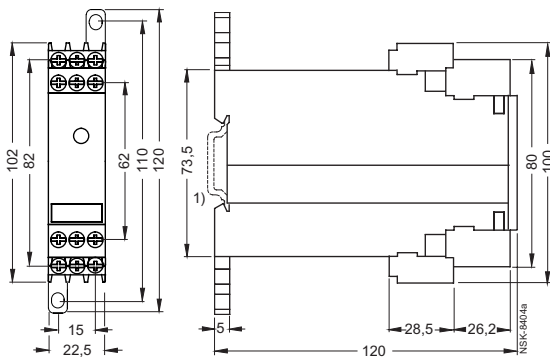


3TK28 07

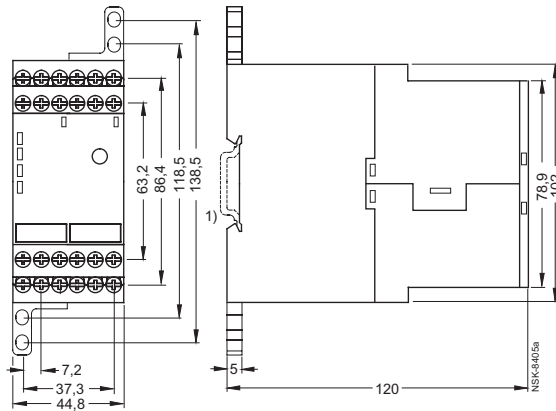


3TK28 SIGUARD safety combinations (relay-type)

3TK28 21 to 3TK28 24, 3TK28 30



3TK28 25, 3TK28 27, 3TK28 28, 3TK28 34, 3TK28 35



1) For 35 mm standard rail acc. to EN 50 022.

2) Dimension for screw fixing.
Screw fixing with 3 plug-in tabs 3RP19 03 per unit 3TK28;
see page 8/73.

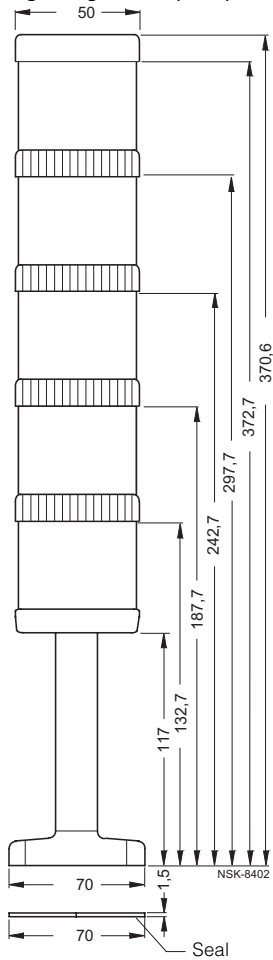


8WD42 SIGUARD Signalling Columns

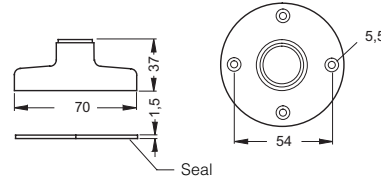
Dimensions

8WD42 SIGUARD signalling columns

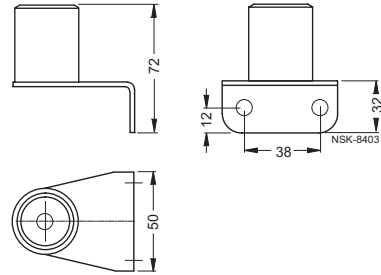
Signalling column (4-tier)



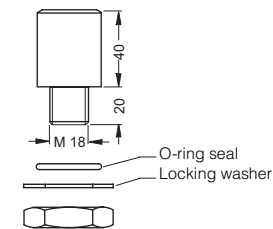
Foot



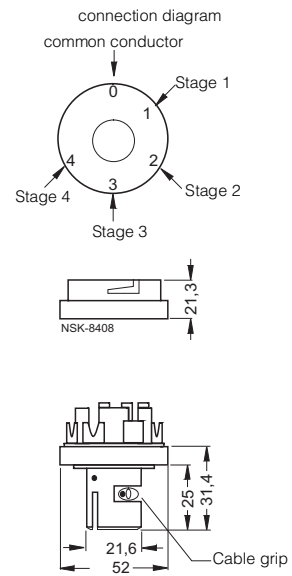
Bracket for wall mounting



Adapter for single-hole mounting



Connection element



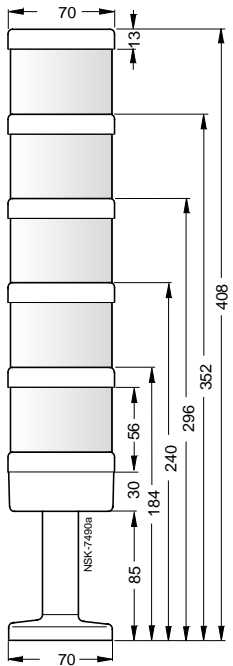
8WD43 SIGUARD Signalling Columns



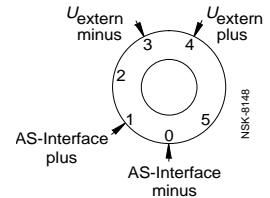
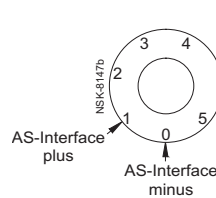
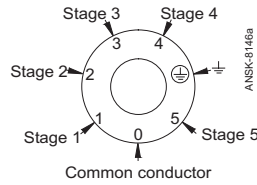
Dimensions

8WD43 SIGUARD signalling columns

Signalling column (5-tier)



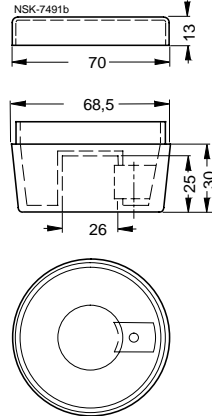
Connection diagrams



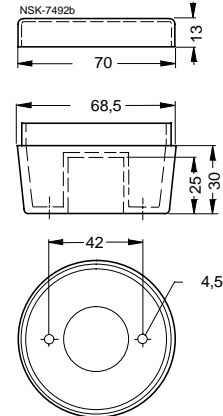
conventional

with AS-Interface
without external auxiliary voltage without external auxiliary voltage

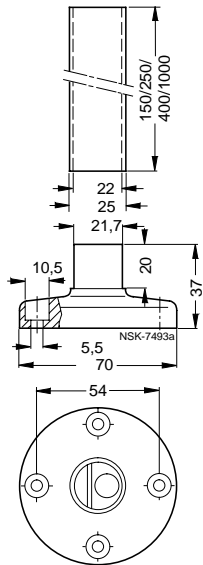
Connection elements and cover for mounting on pipes



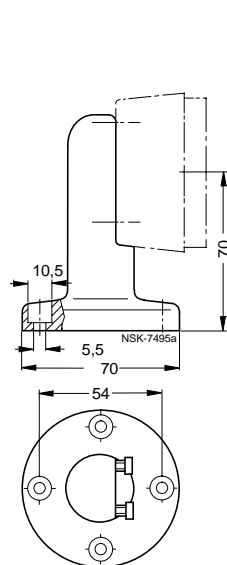
Connection elements and cover for mounting on floor/bracket



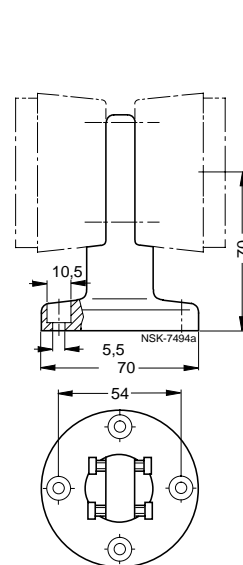
Foot with pipe



Bracket for single-sided mounting



Bracket for double-sided mounting





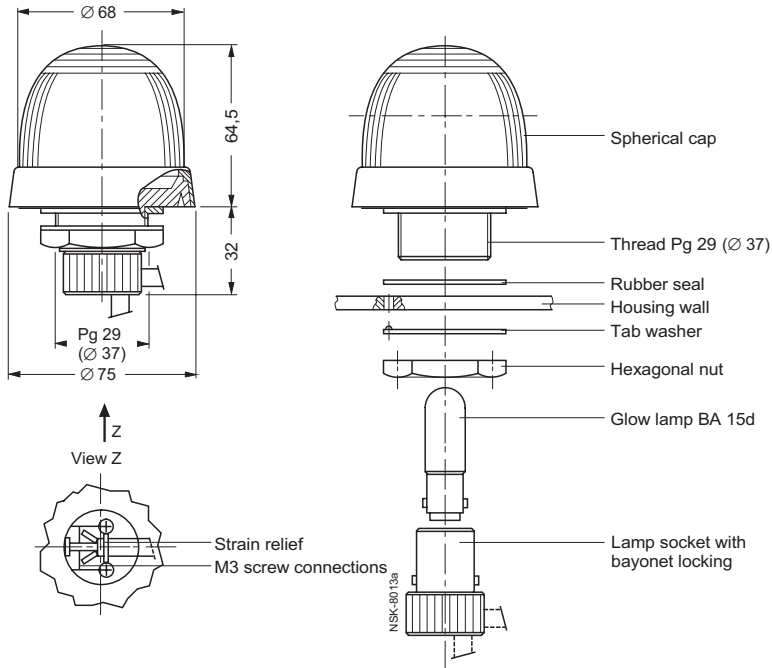
8WD53 SIGUARD Signal Lamps 6KC33 Pressure Switches

Dimensions

- 1
- 2
- 3
- 4
- 5
- 6
- 7
- 8

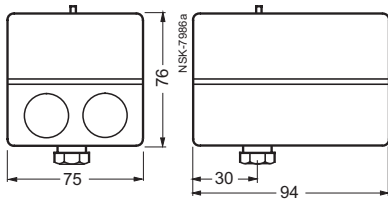
8WD53 SIGUARD signal lamps

SIGUARD signal lamps



Pressure switches

6KC33 3



6KC33 1, 6KC33 2

