

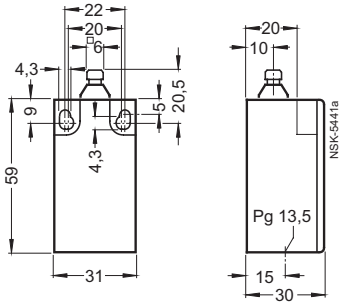
3SE3 2 SIGUARD Position Switches



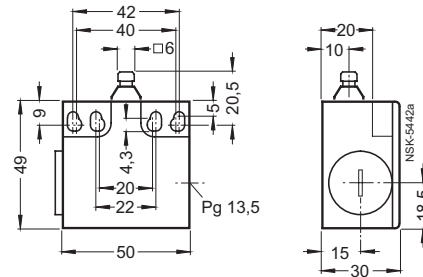
Dimensions

Moulded-plastic enclosed¹⁾

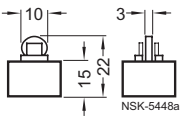
3SE3 200
narrow enclosure acc. to EN 50 047, with overtravel plunger
type B



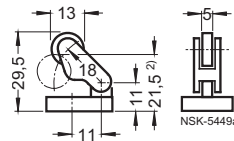
3SE3 210
wide enclosure with overtravel plunger



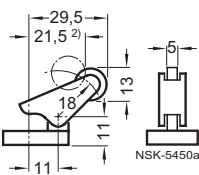
Roller plunger, type C



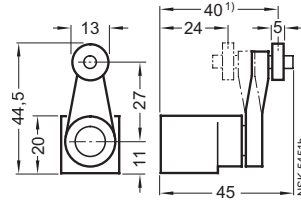
Roller lever, type E



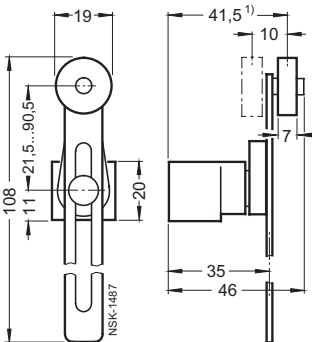
Angular roller lever



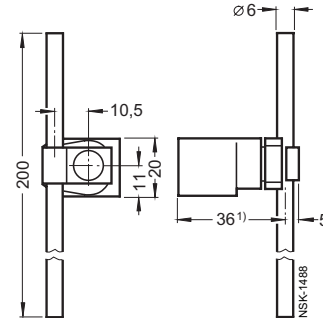
Roller crank, type A



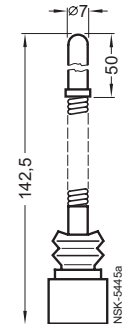
Roller crank, adjustable length



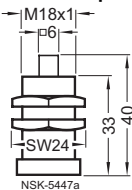
Rod



Spring rod

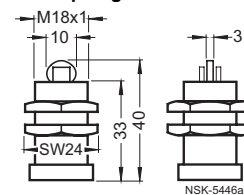


Overtravel plunger



central mounting with thread M 18 x 1

Roller plunger



central mounting with thread M 18 x 1

1) Not 3SE3 ...-8.

2) Roller and angle roller lever at end position.

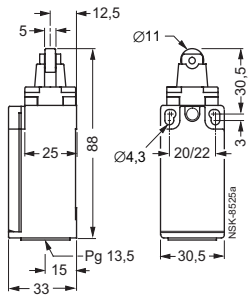


3SE3 2 SIGUARD Position Switches

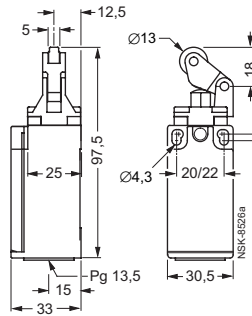
Dimensions

Moulded-plastic enclosed, 3SE3 200-8.

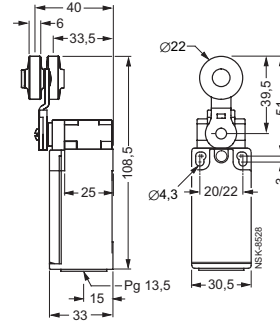
3SE3 200-8D



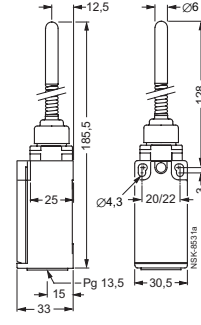
3SE3 200-8E



3SE3 200-8G

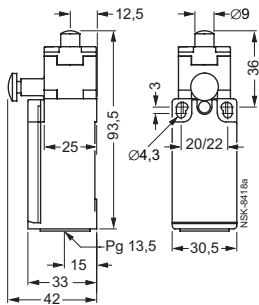


3SE3 200-8R

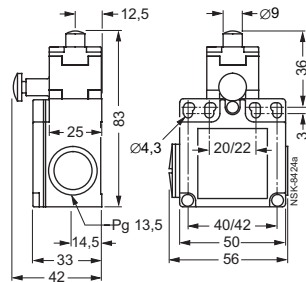


Moulded-plastic enclosed, with RESET, 3SE3 200 and 3SE3 210

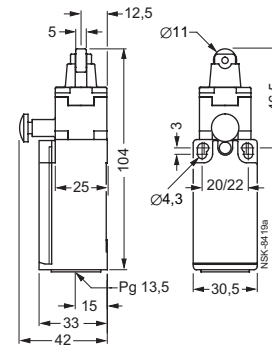
3SE3 200-.CV12



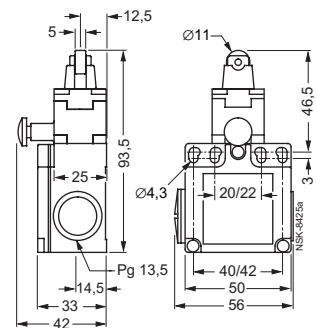
3SE3 210-.CV12



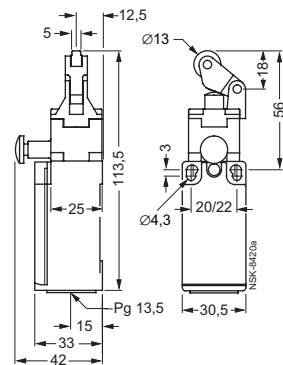
3SE3 200-.DV12



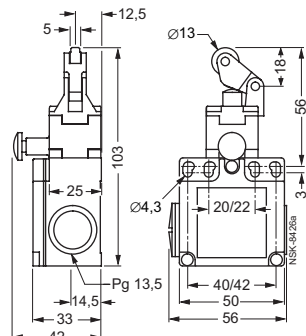
3SE3 210-.DV12



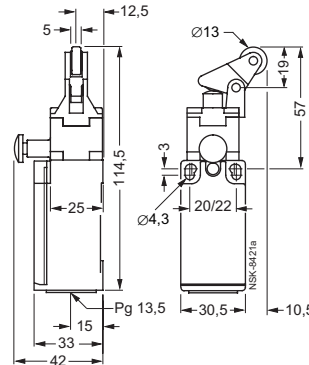
3SE3 200-.EV12



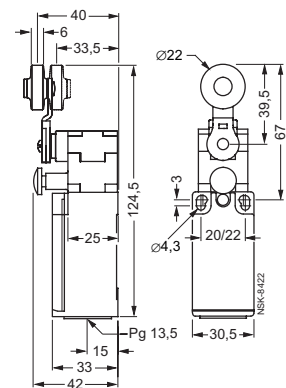
3SE3 210-.EV12



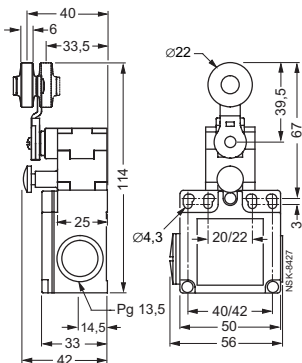
3SE3 200-.FV12



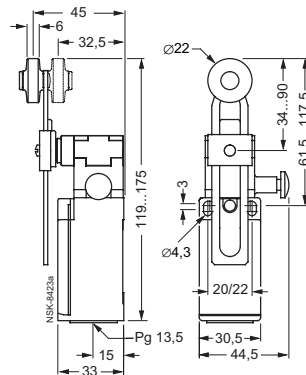
3SE3 200-.GV12



3SE3 210-.GV12



3SE3 200-.UV12



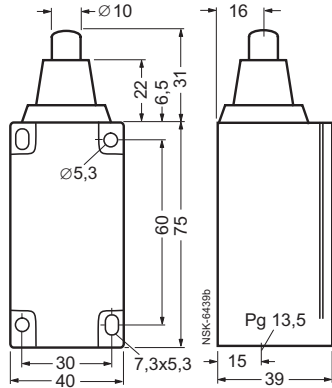
3SE3 1, 3SE3 2 SIGUARD Position Switches



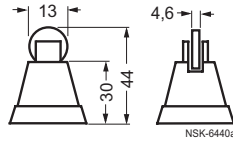
Dimensions

Moulded-plastic enclosed, 3SE3 230³⁾/metal-enclosed, 3SE3 120³⁾

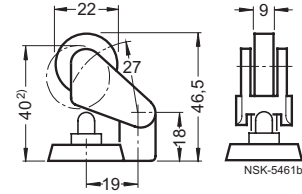
3SE3 230 and 3SE3 120, enclosure acc. to EN 50 041, with overtravel plunger



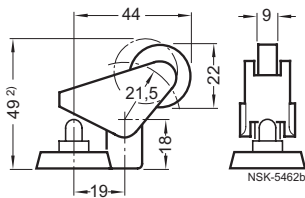
Roller plunger, type C



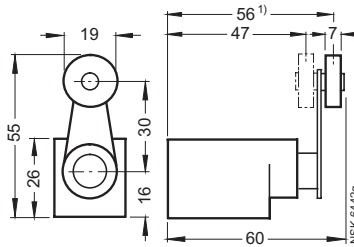
Roller lever



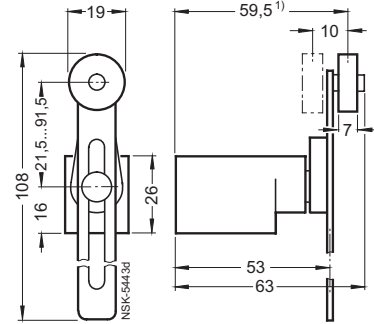
Angular roller lever



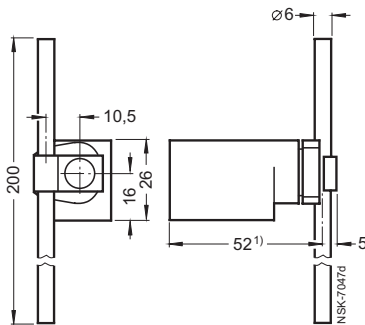
Roller crank, type A



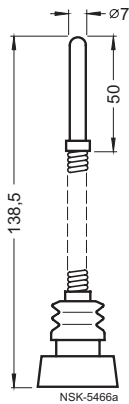
Roller crank, adjustable length



Rod



Spring rod



- 1) Clearance between the face of the enclosure, roller crank and rod.
- 2) Roller and angle roller lever at end position.
- 3) Not 3SE3 ...-8.

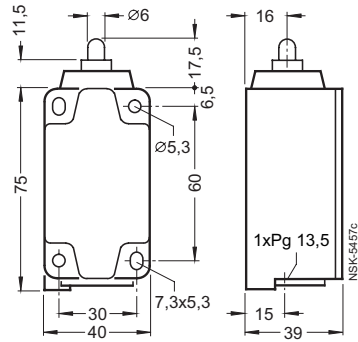


3SE3 1, 3SE3 3, 3SE3 4 SIGUARD Position Switches

Dimensions

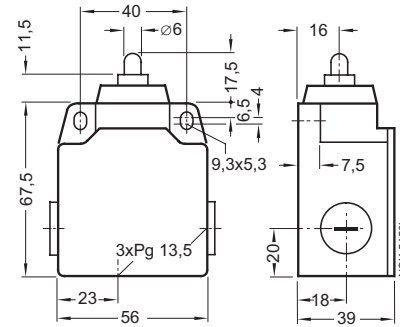
Metal-enclosed

3SE3 120



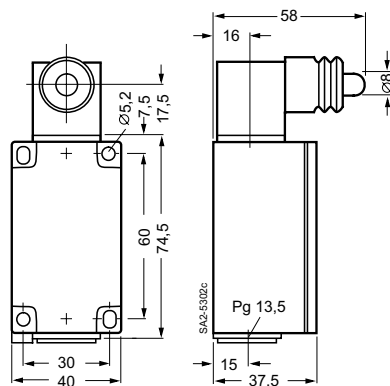
narrow enclosure, 2 contacts with plunger

3SE3 100



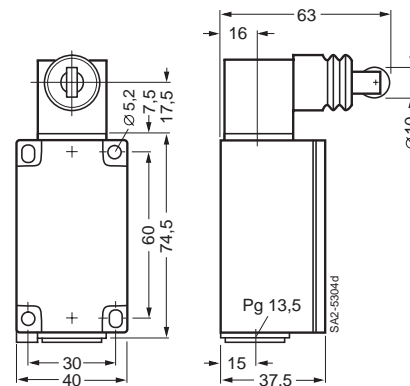
wide enclosure, 2 contacts with plunger

3SE3 120-1XP



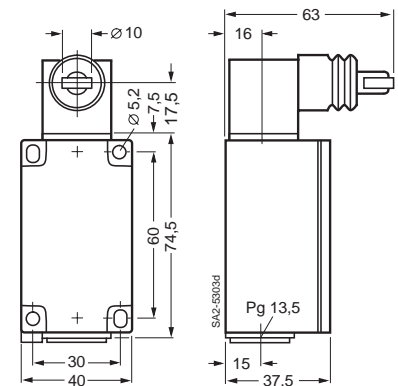
with overtravel plunger lateral actuation

3SE3 120-1XQ



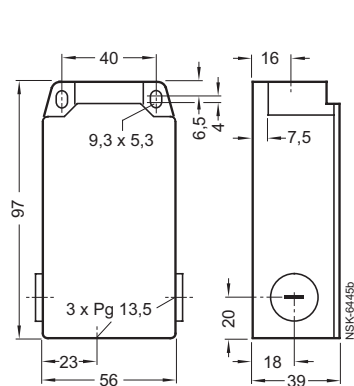
with roller plunger, with roller in vertical position, lateral actuation

3SE3 120-1XR



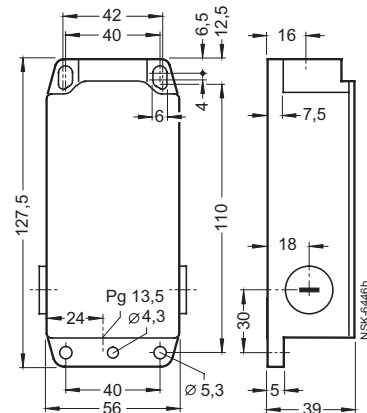
with roller plunger, with roller in vertical position, lateral actuation

3SE3 303



wide enclosure, 3 contacts

3SE3 404



wide enclosure, 4 contacts

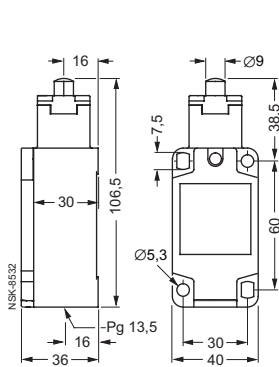
3SE3 SIGUARD Position Switches



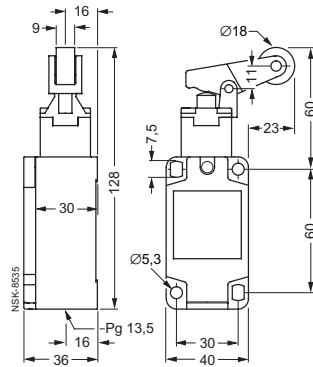
Dimensions

Metal-enclosed, 3SE3 1...-8.

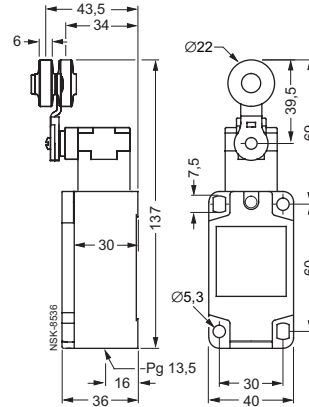
3SE3 120-8C



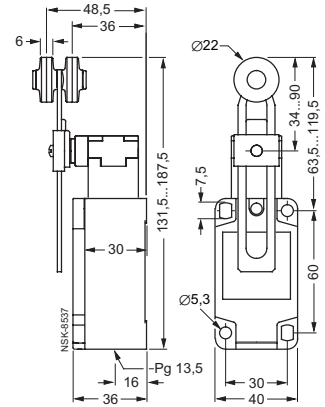
3SE3 120-8F



3SE3 120-8G

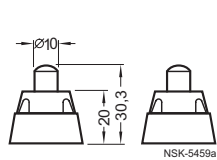


3SE3 120-8U

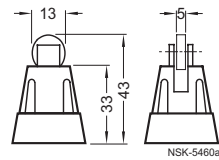


Operating mechanisms for 3SE3 metal-enclosed position switches

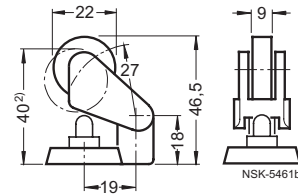
Overtravel plunger



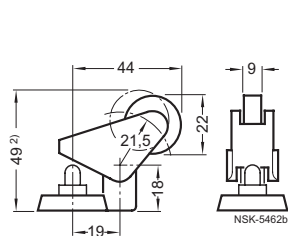
Roller plunger



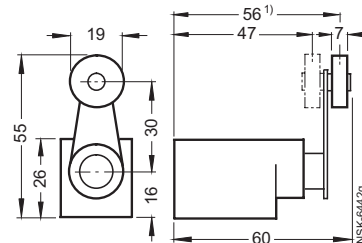
Roller lever



Angular roller lever

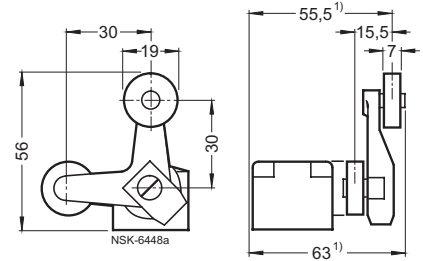


3SX3 212 roller crank for 3SX3 211 actuator heads



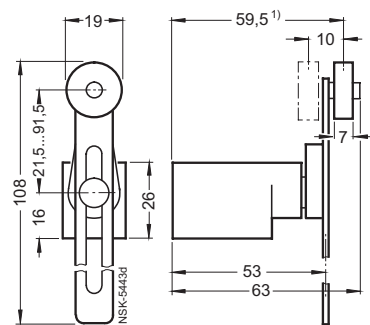
(roller crank, must not be turned by 180°)
30 mm, type A

Fork lever



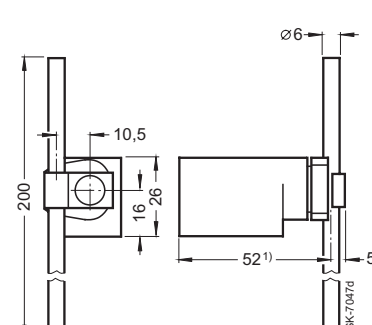
(rotatable by 180°)

Roller crank



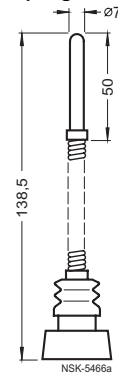
adjustable length

Roller crank



adjustable length

Spring rod



1) Clearance between the face of the enclosure, rod, fork lever and roller crank.
2) Roller and angle roller lever at end position.

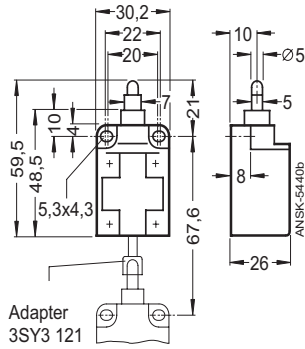


3SE3 0, 3SE3 1 SIGUARD Position Switches

Dimensions

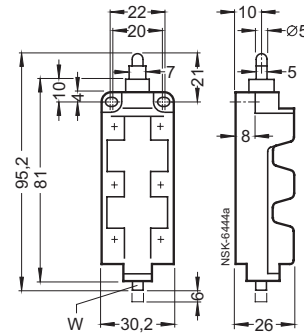
Open-type

3SE3 020-A



Snap-action contacts, with make-before-break contacts, 6 mm stroke

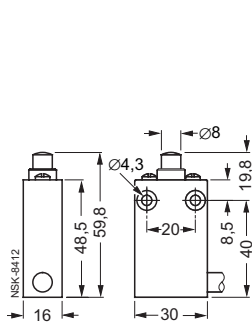
3SE3 023-A



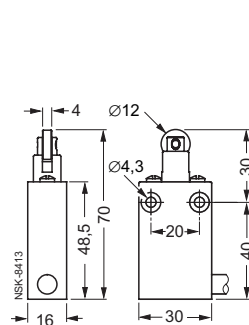
W = repeat plunger
Slow-action contacts, slow-action contacts with make-before-break contacts, 6 mm stroke

Metal-enclosed, with encapsulated cable, 3SE3 160/3SE3 180

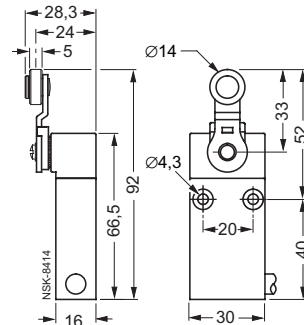
3SE3 180-C



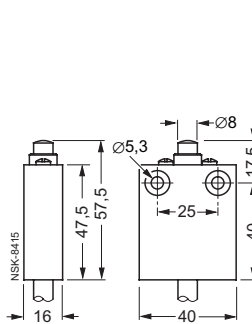
3SE3 180-D



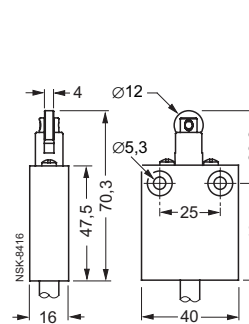
3SE3 180-G



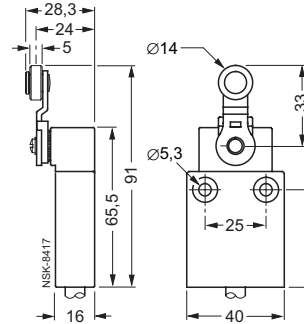
3SE3 160-C



3SE3 160-D



3SE3 160-G



For position switches with M12 thread fixing, see page 8/90.

3SE3 1 SIGUARD Position Switches

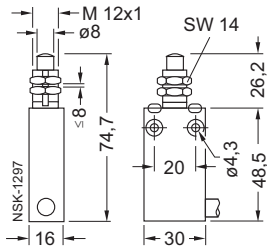


Dimensions

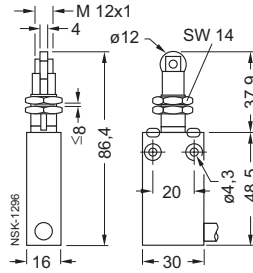
Metal-enclosed, with moulded cable, 3SE3 160/3SE3 180

with M12 thread fixing

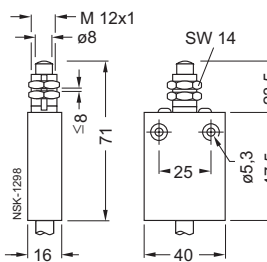
3SE3 180-CJ



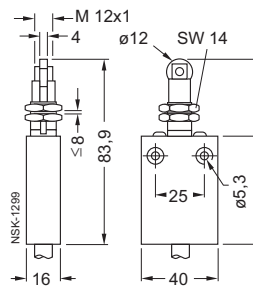
3SE3 180-DJ



3SE3 160-CJ

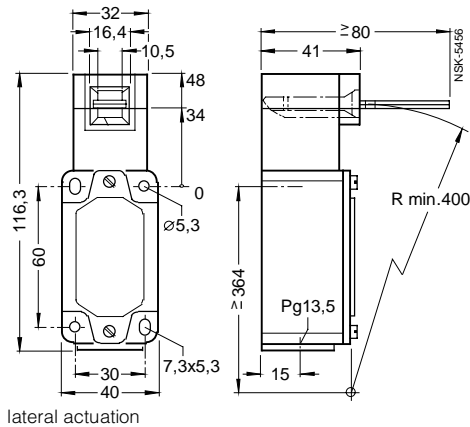


3SE3 160-DJ

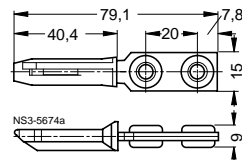


Metal-enclosed, with separate actuator

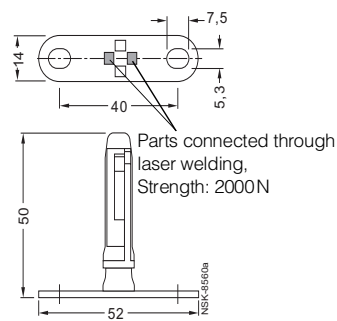
3SE3 120-XX



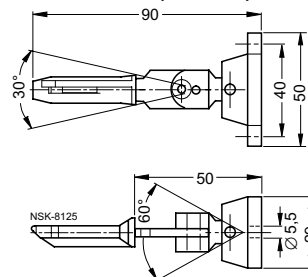
Actuator 3SX3 197 for lengthwise fixing



Actuator 3SX3 206 for transverse fixing



Radius actuator (universal) 3SX3 203





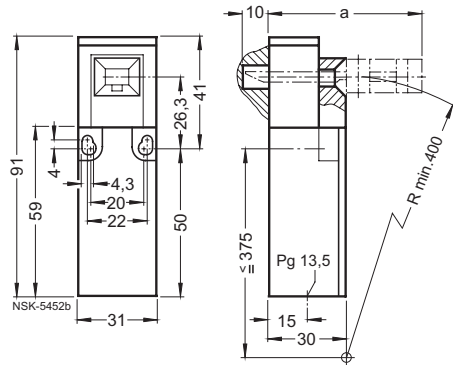
3SE3 2 SIGUARD Position Switches

Dimensions

1
2
3
4
5
6
7
8

Moulded-plastic enclosed, with separate actuator

3SE3 200-XX03
lateral actuation

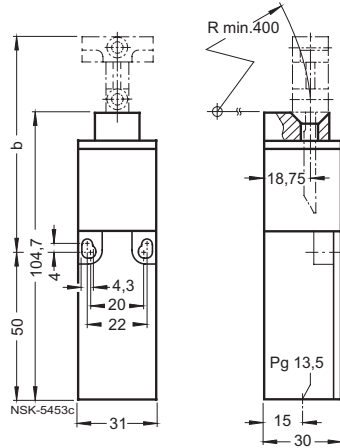


Permissible centre offset
of actuator to position switch:
vertical and horizontal ± 1 mm

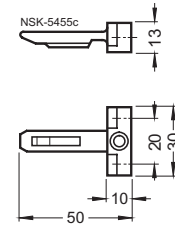
Actuator	a	b
Short	42...45	66.5...69
Long	62...65	86.5...89

Radius actuation:
for all radii ≥ 50 mm side and
front-end actuation

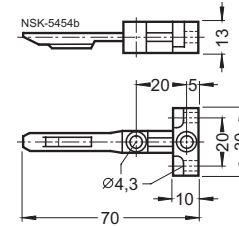
3SE3 200-XX04
front-end actuation



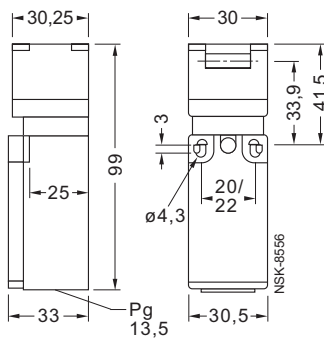
Short actuator 3SX3 196



Long actuator 3SX3 195

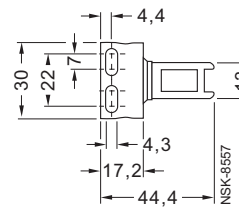


3SE3 200-XX13

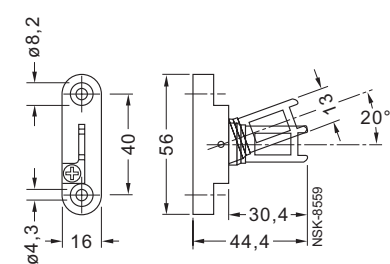


Radius actuation:
for all radii ≥ 50 mm side and
front-end actuation

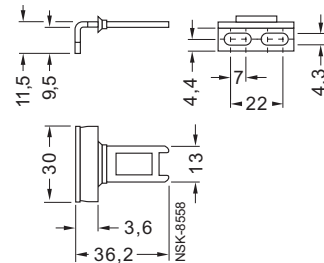
Standard actuator 3SX3 220



Radius actuator 3SX3 222



Actuator with transverse fixing 3SX3 221



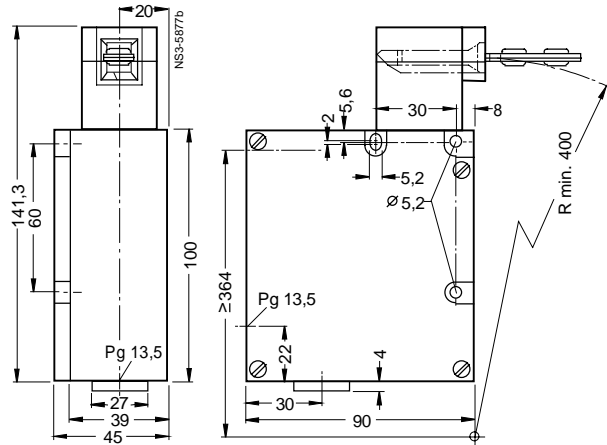


3SE3 8 SIGUARD Position Switches

Dimensions

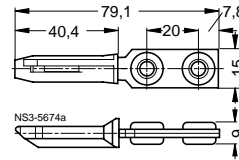
Metal-enclosed, with separate actuator, with tumbler

3SE3 83.-XX, 3SE3 84.-XX

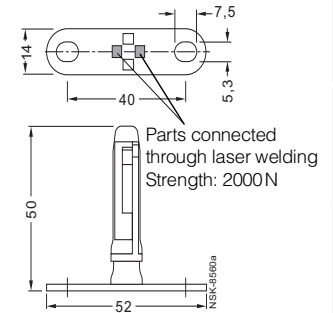


lateral actuation

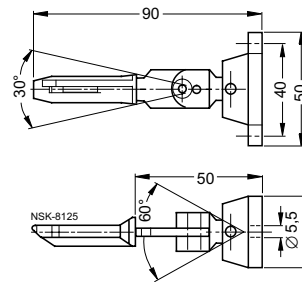
Actuator 3SX3 197 for lengthwise fixing



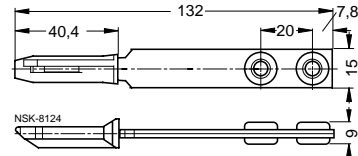
Actuator 3SX3 206 for transverse fixing



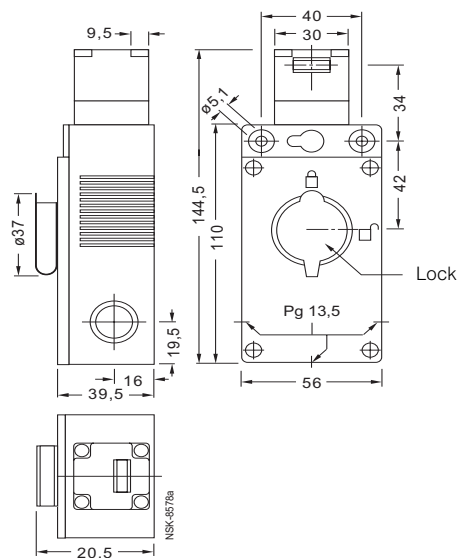
Radius actuator (universal) 3SX3 203



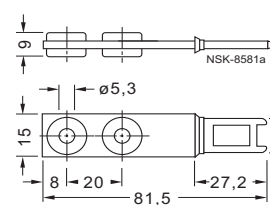
Actuator 3SX3 207 for approach direction from the left side



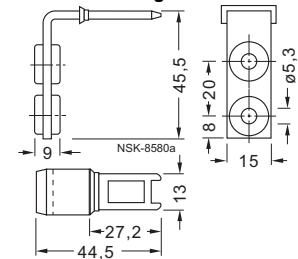
3SE3 85.-XX, 3SE3 86.-XX



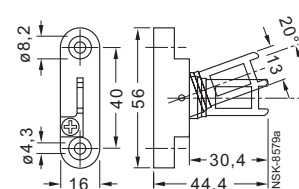
Standard actuator 3SX3 226



Actuator 3SX3 227 for transverse fixing



Radius actuator 3SX3 222



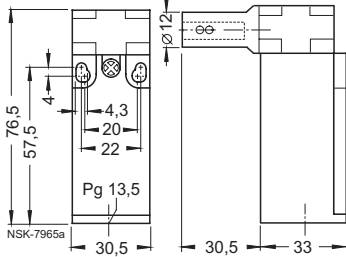


3SE3 SIGUARD Hinge Switches 3SE7 SIGUARD Rope-Operated Switches

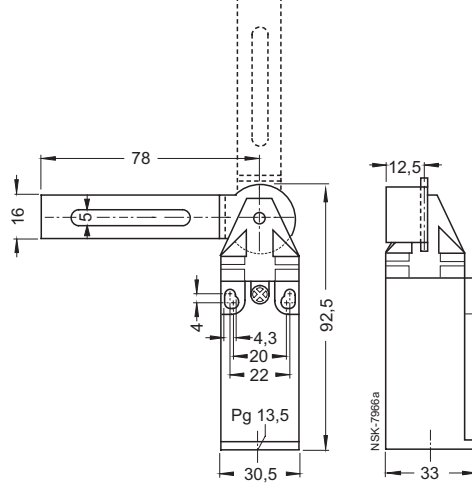
Dimensions

SIGUARD hinge switches · Moulded-plastic/metal-enclosed

Switches for hinged axes
3SE3 200-.GA10, 3SE3 120-.GA10



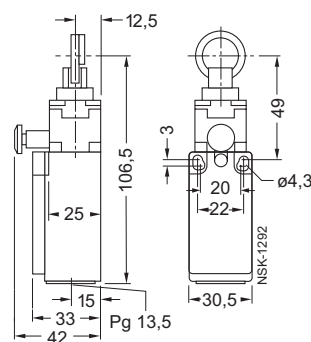
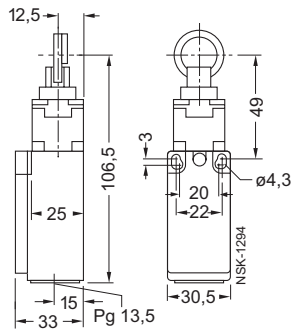
Switches for mounting on hinged flaps
3SE3 200-.GA4., 3SE3 120-.GA4.



SIGUARD rope-operated switches · Moulded-plastic/metal-enclosed

3SE7 230-2AA02

3SE7 230-1AA02

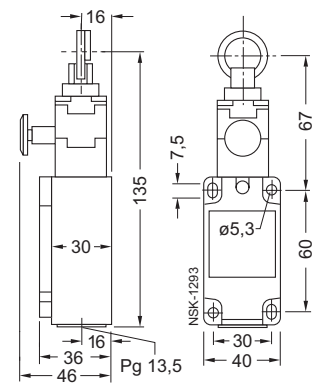
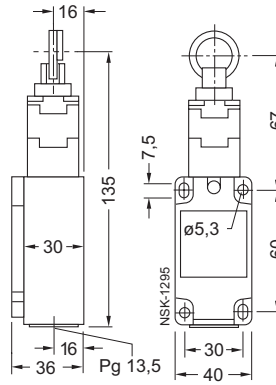


without latching

with latching
and unlatching

3SE7 110-2AA02,
3SE7 210-2AA02

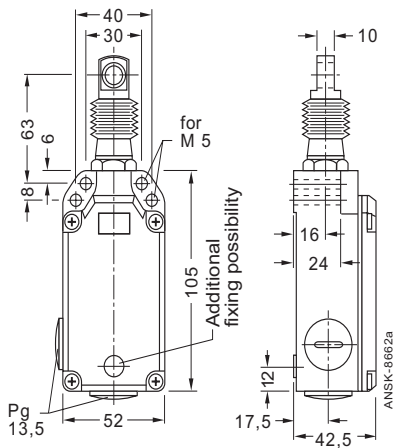
3SE7 110-1AA02,
3SE7 210-1AA02



without latching

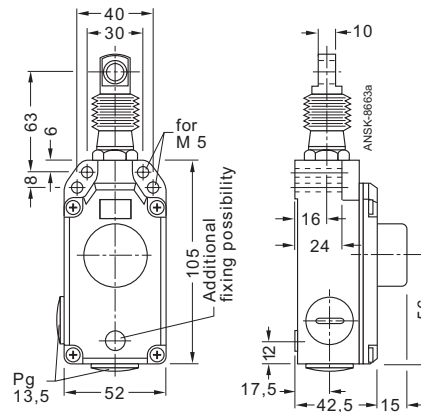
with latching
and unlatching

3SE7 150-2DD



without latching

3SE7 150-1BD, 3SE7 150-1BF



with latching and pressure unlatching