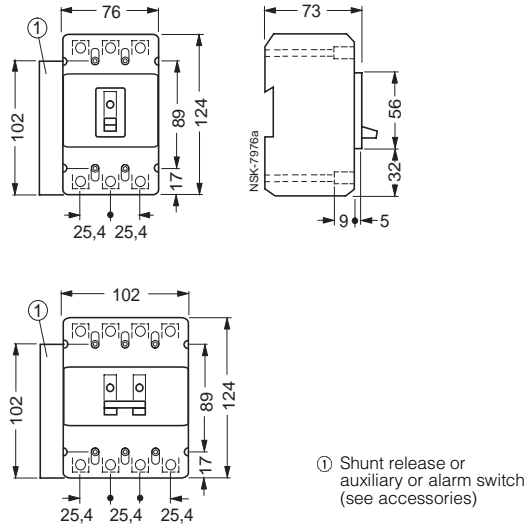


3VF2 Circuit-Breakers

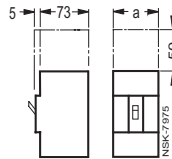
3VF2 circuit-breakers, 3 and 4-pole

3VF2



Space required above arc chutes

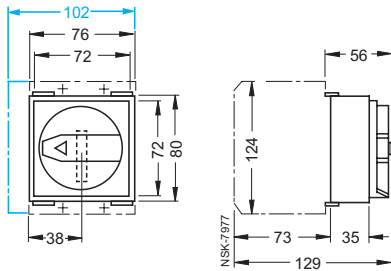
Minimum clearance to adjacent earthed parts and non-insulated live parts at rated voltage
 For 3VF2, the clearance of minimum 2 cm between large covers and the arc chute openings must be observed.
 Bare conductors and bars must be insulated within the venting space of the arc chutes.



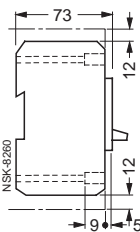
Type	a
3VF2, 3-pole	78
3VF2, 4-pole	101

Accessories for 3VF2 circuit-breakers, 3 and 4-pole

3VF9 223-1.A00 front rotary drive with knob for 3VF2



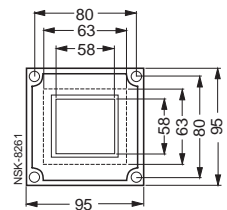
3VF9 224-1NB.0 terminal cover for 3VF2



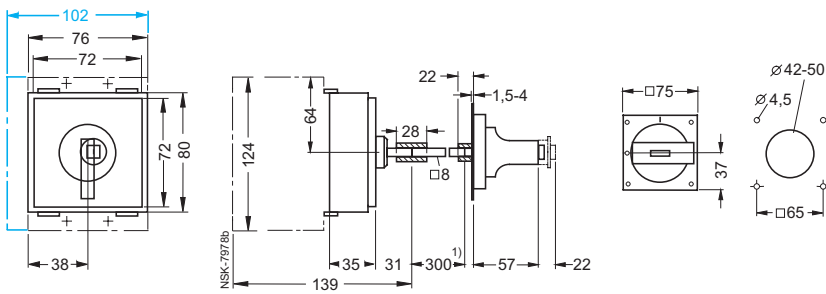
3VF9 220-1CA10 cover with 45 mm cap for 3VF2



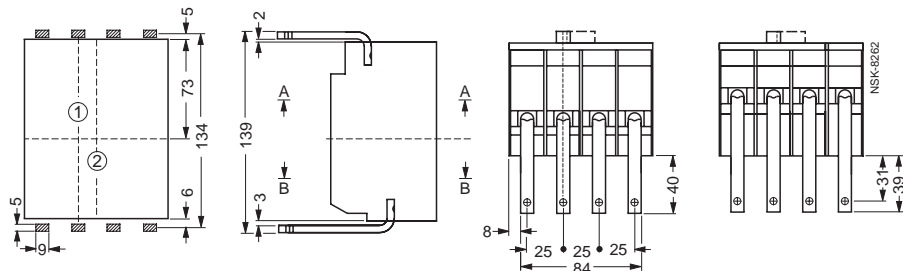
3VF9 220-1AA00 cover frame for door cutout for 3VF2



8UC61 2-.BD22 complete rotary drive with door coupling for 3VF2



3VF9 224-1LD.0 rear connection for 3VF2



4-pole version

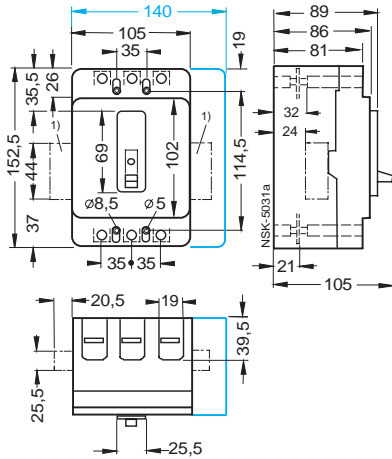
Note: 4-pole circuit-breakers always have the 4th pole (N) on the left!

1) As supplied, shorten shaft to suit if necessary.
 With lengths >130 mm a support is necessary.

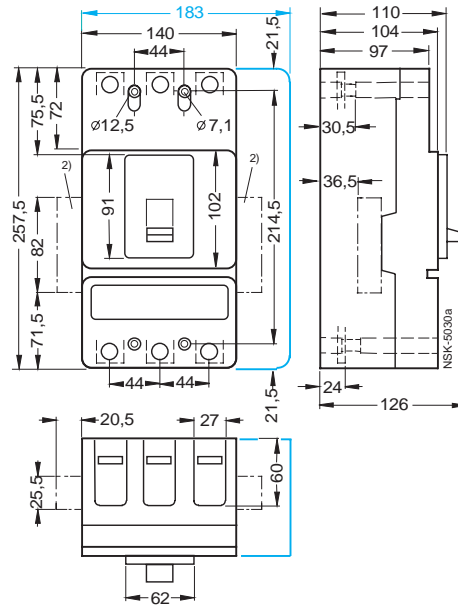
3VF3 to 3VF8 Circuit-Breakers

3VF circuit-breakers, 3 and 4-pole

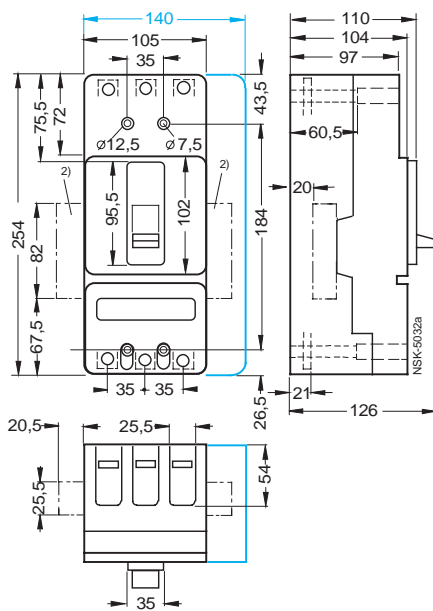
3VF3



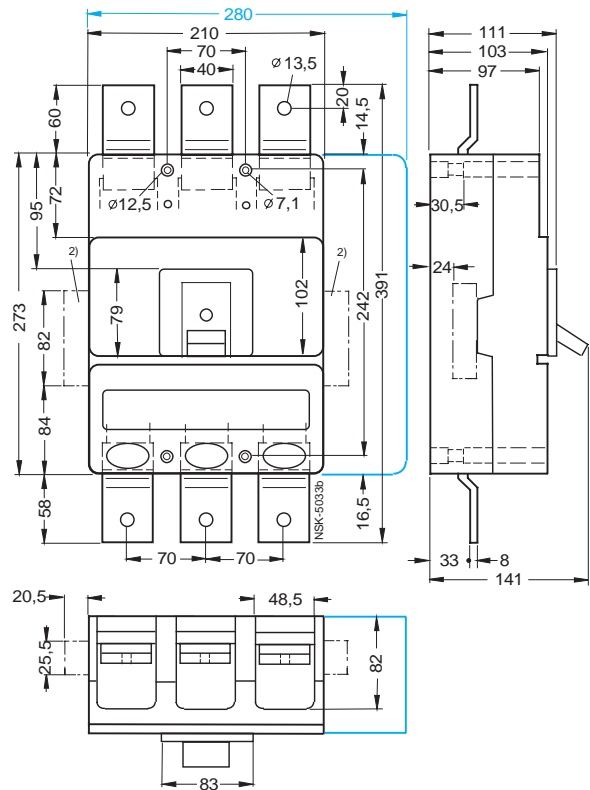
3VF5



3VF4



3VF6



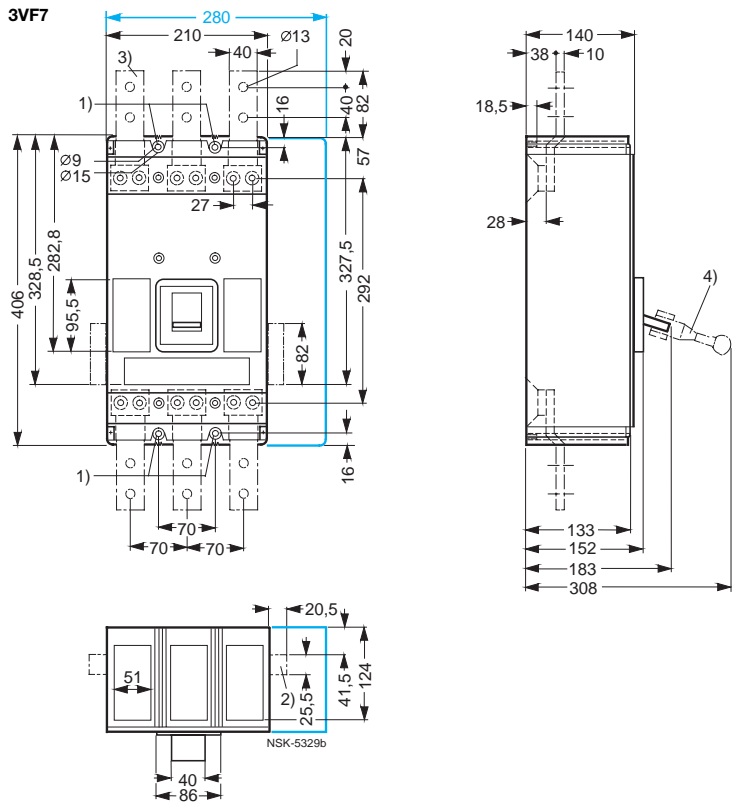
4-pole version

Note: 4-pole circuit-breakers always have the 4th pole (N) on the left!

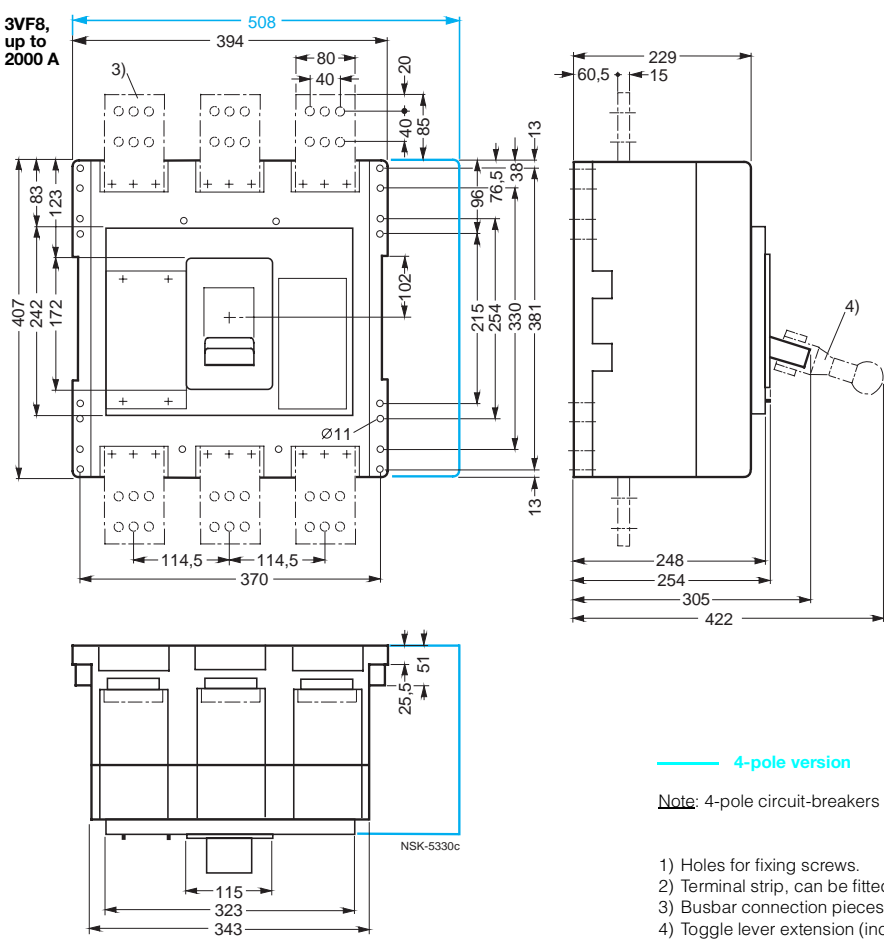
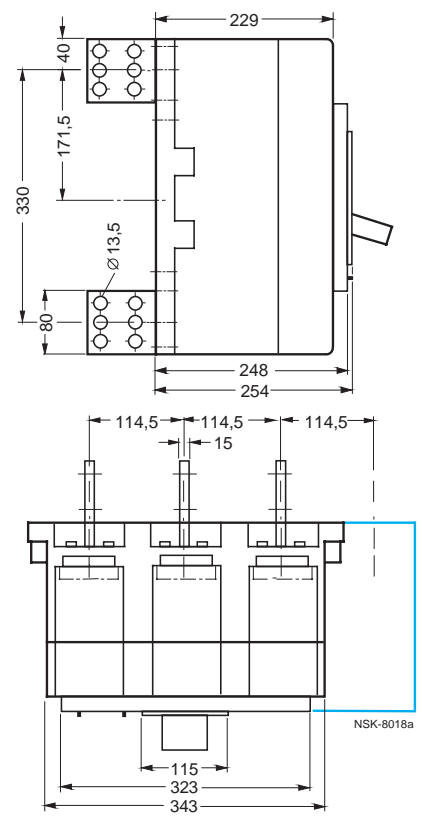
- 1) 3-pole terminal block for internal accessories (auxiliary release, auxiliary switch).
- 2) 6-pole terminal block for internal accessories (auxiliary release, auxiliary switch).

3VF3 to 3VF8 Circuit-Breakers

3VF circuit-breakers, 3 and 4-pole



3VF84, 2500 A
Rear connections must always be mounted vertically



— 4-pole version

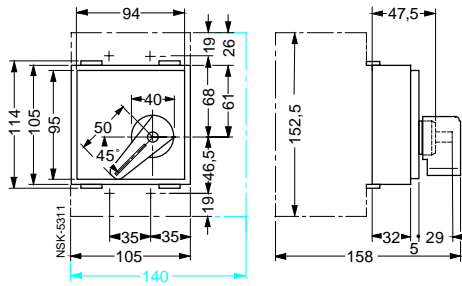
Note: 4-pole circuit-breakers always have the 4th. pole (N) on the left!

- 1) Holes for fixing screws.
- 2) Terminal strip, can be fitted at the side.
- 3) Busbar connection pieces not included in scope of supply.
- 4) Toggle lever extension (included with circuit-breaker).

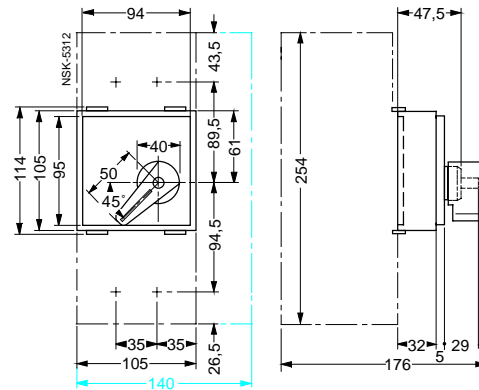
3VF3 to 3VF8 Circuit-Breakers

Accessories for 3VF circuit-breakers, 3- and 4-pole

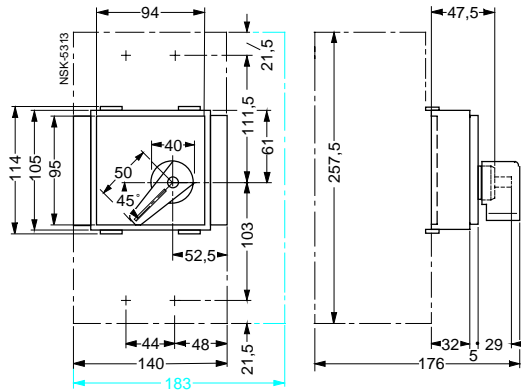
3VF9 323-1..00 front rotary drive with knob
for 3VF3



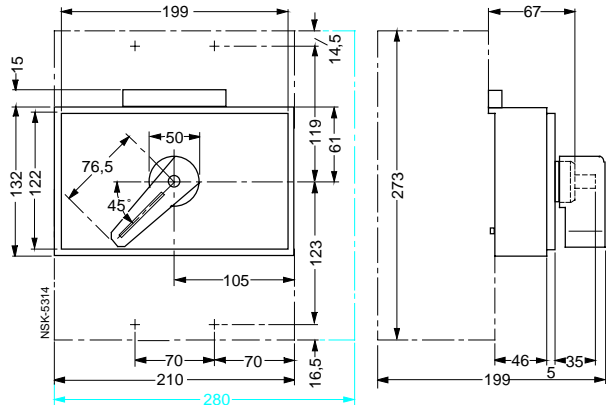
3VF9 423-1..00 front rotary drive with knob
for 3VF4



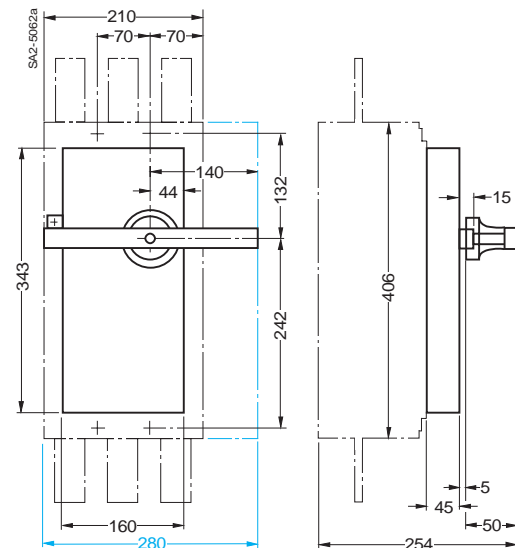
3VF9 523-1..00 front rotary drive with knob
for 3VF5



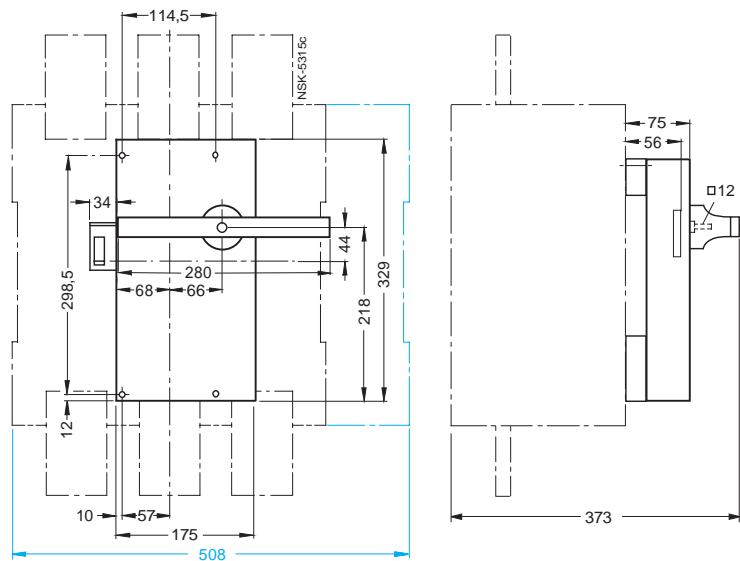
3VF9 623-1..00 front rotary drive with knob
for 3VF6



3VF9 723-1..00 front rotary drive with knob
for 3VF7



3VF9 823-1..01 front rotary drive with knob
for 3VF8

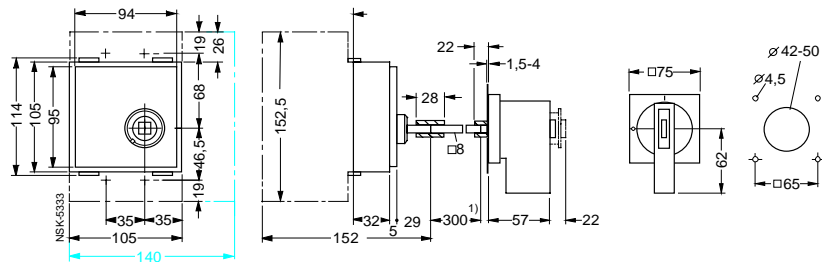


4-pole version

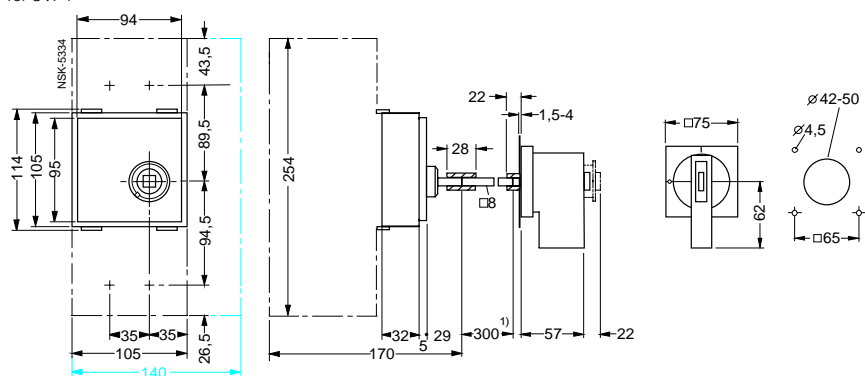
3VF3 to 3VF8 Circuit-Breakers

Accessories for 3VF circuit-breakers, 3- and 4-pole

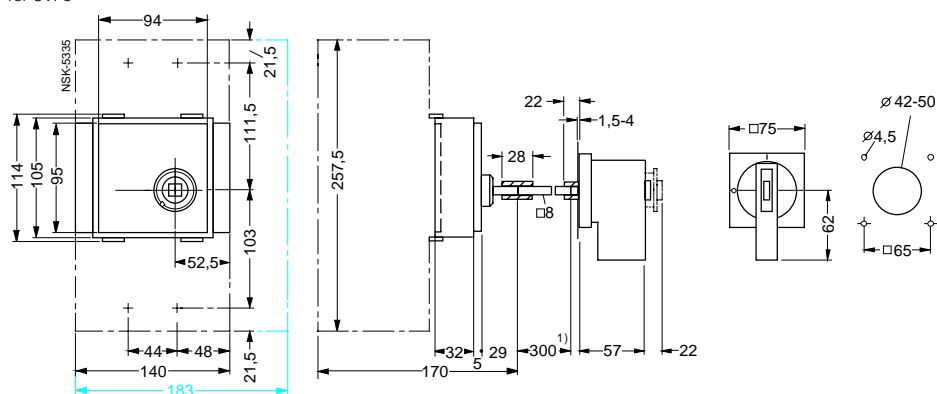
3VF9 323-1..00 complete rotary drive with door coupling for 3VF3



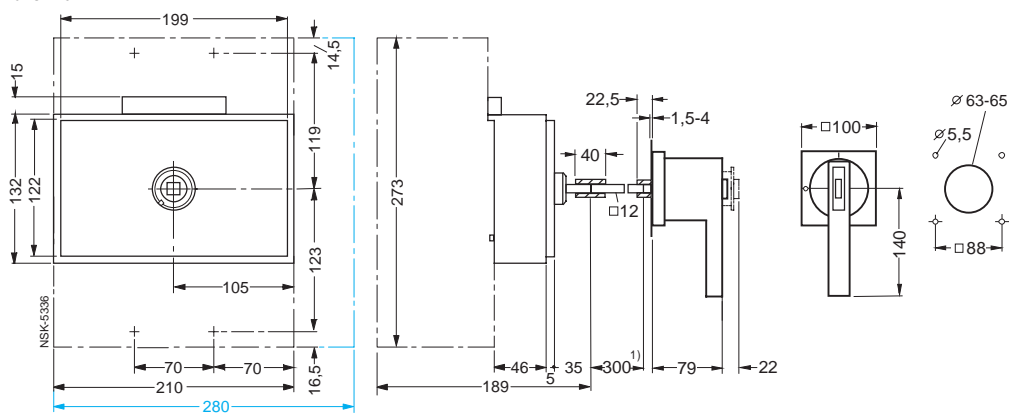
3VF9 423-1..00 complete rotary drive with door coupling for 3VF4



3VF9 523-1..00 complete rotary drive with door coupling for 3VF5



3VF9 623-1..00 complete rotary drive with door coupling for 3VF6



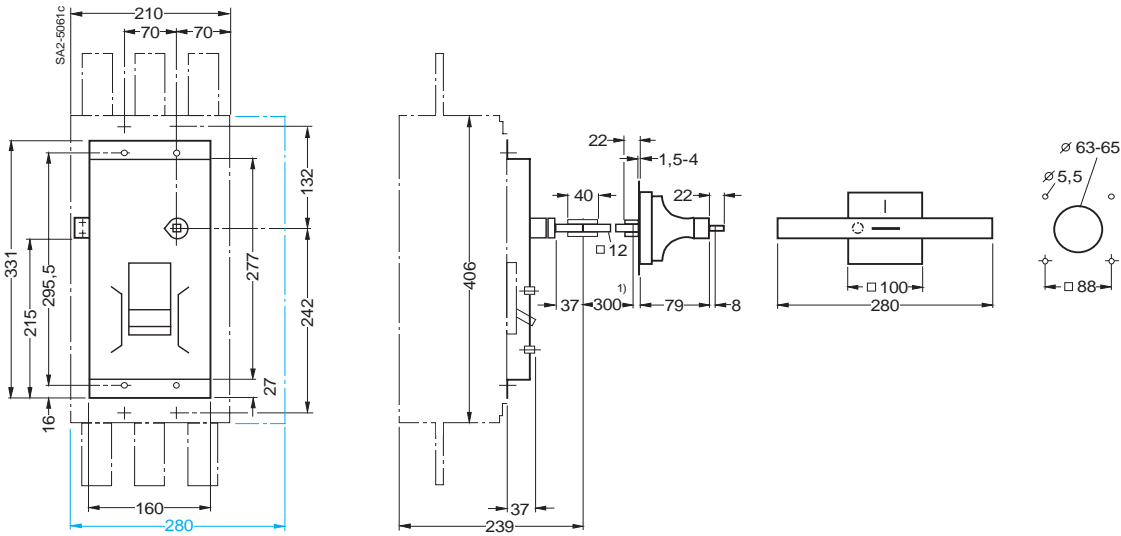
— 4-pole version

1) As supplied, shorten shaft to suit if necessary.

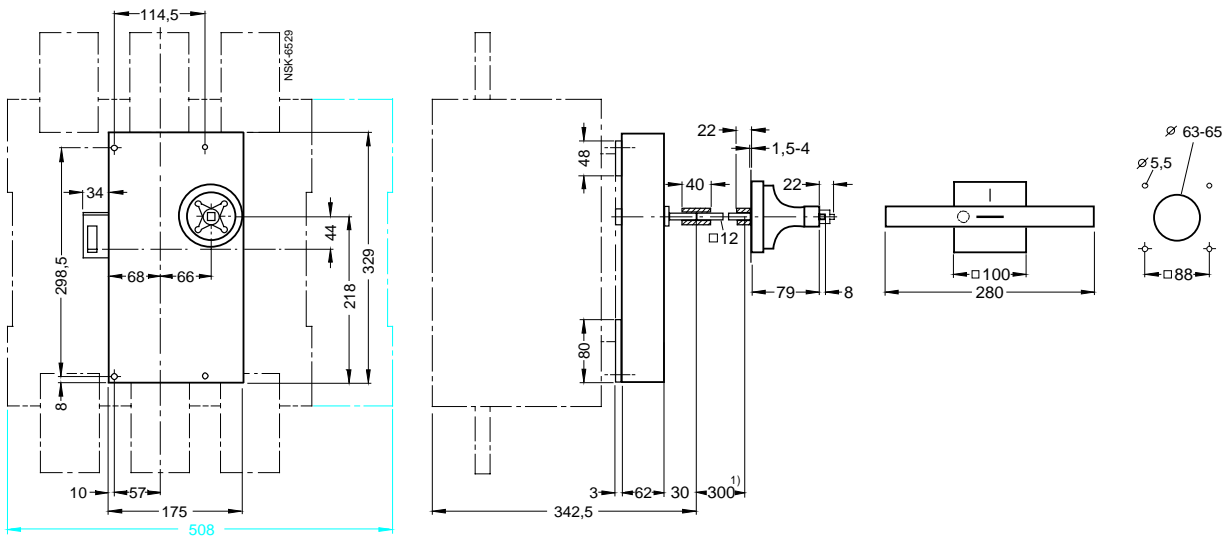
3VF3 to 3VF8 Circuit-Breakers

Accessories for 3VF circuit-breakers, 3- and 4-pole

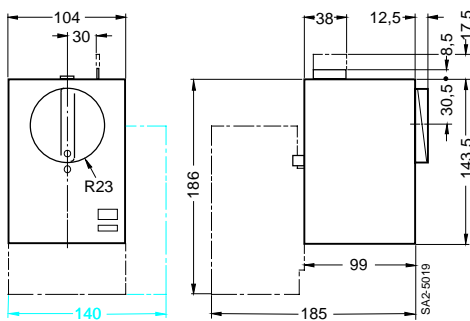
3VF9 723-1..00 complete rotary drive with door coupling
for 3VF7



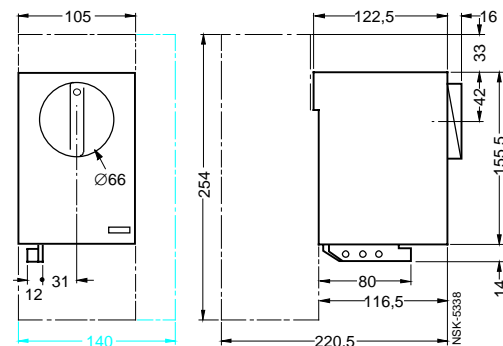
3VF9 823-1..00 complete rotary drive with door coupling
for 3VF8



3VF9 323-1..00 motorized operating mechanism
for 3VF3



**3VF9 423-1...0 motorized operating mechanism and
3VF9 423-1Q..0 motorized operating mechanism
suitable for synchronizing**
for 3VF4



— 4-pole version

1) As supplied, shorten shaft to suit if necessary.