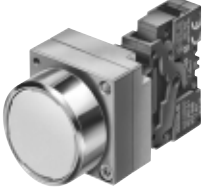

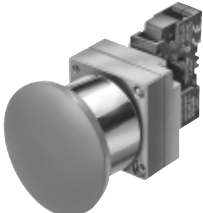


# SIGNUM 3SB3 Metallic Pushbutton Units and Indicator Lights

○ Round Program, 22 mm

Complete units  
Selection and ordering data

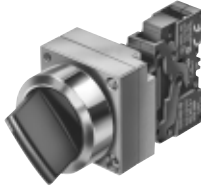

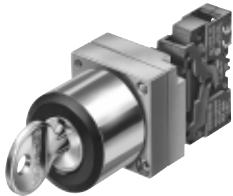



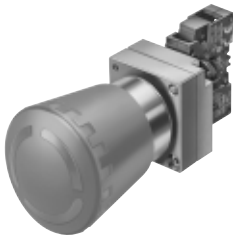
Version	Colour of actuator / Lock No.	Contacts for front-plate mounting Version	Order No. Preferred type	Price 1 unit	Weight approx. / Packing		
					kg	Units	
Pushbutton unit with flat button 	<b>Pushbutton units with flat button</b>				0.072	1	
	black	1 NO	▶ 3SB36 02-0AA11				
	black	1 NC	▶ 3SB36 03-0AA11				
	red	1 NC	▶ 3SB36 03-0AA21				
	yellow	1 NO	▶ 3SB36 02-0AA31				
	green	1 NO	▶ 3SB36 02-0AA41				
	blue	1 NO	▶ 3SB36 02-0AA51				
	white	1 NO	▶ 3SB36 02-0AA61				
	black	1 NO + 1 NC	▶ 3SB36 01-0AA11		0.081		
	red	1 NO + 1 NC	▶ 3SB36 01-0AA21				
	yellow	1 NO + 1 NC	▶ 3SB36 01-0AA31				
	green	1 NO + 1 NC	▶ 3SB36 01-0AA41				
	blue	1 NO + 1 NC	▶ 3SB36 01-0AA51				
	white	1 NO + 1 NC	▶ 3SB36 01-0AA61				
Illuminated pushbutton unit with flat button 	<b>Illuminated pushbutton unit with flat button</b>				0.087	1	
	with BA 9s lamp holder	red <sup>1)</sup>	1 NC	▶ 3SB36 07-0AA21			
		yellow <sup>1)</sup>	1 NO	▶ 3SB36 06-0AA31			
		green <sup>1)</sup>	1 NO	▶ 3SB36 06-0AA41			
		blue <sup>1)</sup>	1 NO	▶ 3SB36 06-0AA51			
		white	1 NO	▶ 3SB36 06-0AA61			
		clear <sup>1)</sup>	1 NO	▶ 3SB36 06-0AA71			
		red <sup>1)</sup>	1 NO + 1 NC	▶ 3SB36 05-0AA21	0.096		
		yellow <sup>1)</sup>	1 NO + 1 NC	▶ 3SB36 05-0AA31			
		green <sup>1)</sup>	1 NO + 1 NC	▶ 3SB36 05-0AA41			
		blue <sup>1)</sup>	1 NO + 1 NC	▶ 3SB36 05-0AA51			
		white	1 NO + 1 NC	▶ 3SB36 05-0AA61			
		clear <sup>1)</sup>	1 NO + 1 NC	▶ 3SB36 05-0AA71			
	Operational voltage 24 V AC/DC with BA 9s lamp holder and 24 V incandescent lamp (3SX1 344)	red <sup>1)</sup>	1 NC	▶ 3SB36 18-0AA21		0.092	1
yellow <sup>1)</sup>		1 NO	▶ 3SB36 20-0AA31				
green <sup>1)</sup>		1 NO	▶ 3SB36 20-0AA41				
blue <sup>1)</sup>		1 NO	▶ 3SB36 20-0AA51				
white		1 NO	▶ 3SB36 20-0AA61				
clear <sup>1)</sup>		1 NO	▶ 3SB36 20-0AA71				
red <sup>1)</sup>		1 NO + 1 NC	▶ 3SB36 21-0AA21		0.101		
yellow <sup>1)</sup>		1 NO + 1 NC	▶ 3SB36 21-0AA31				
green <sup>1)</sup>		1 NO + 1 NC	▶ 3SB36 21-0AA41				
blue <sup>1)</sup>		1 NO + 1 NC	▶ 3SB36 21-0AA51				
white		1 NO + 1 NC	▶ 3SB36 21-0AA61				
clear <sup>1)</sup>		1 NO + 1 NC	▶ 3SB36 21-0AA71				
Operational voltage 220/230 V AC with BA 9s lamp holder, integrated voltage reducer and 130 V incandescent lamp (3SX1 731)		red <sup>1)</sup>	1 NC	▶ 3SB36 16-0AA21		0.099	1
		yellow <sup>1)</sup>	1 NO	▶ 3SB36 14-0AA31			
	green <sup>1)</sup>	1 NO	▶ 3SB36 14-0AA41				
	blue <sup>1)</sup>	1 NO	▶ 3SB36 14-0AA51				
	white	1 NO	▶ 3SB36 14-0AA61				
	clear <sup>1)</sup>	1 NO	▶ 3SB36 14-0AA71				
	red <sup>1)</sup>	1 NO + 1 NC	▶ 3SB36 13-0AA21		0.108		
	yellow <sup>1)</sup>	1 NO + 1 NC	▶ 3SB36 13-0AA31				
	green <sup>1)</sup>	1 NO + 1 NC	▶ 3SB36 13-0AA41				
	blue <sup>1)</sup>	1 NO + 1 NC	▶ 3SB36 13-0AA51				
	white	1 NO + 1 NC	▶ 3SB36 13-0AA61				
	clear <sup>1)</sup>	1 NO + 1 NC	▶ 3SB36 13-0AA71				
	Mushroom-shaped push-pull-button unit 	<b>Mushroom-shaped-push-pull-button units, Ø 40 mm latching,</b>		red	1 NC	▶ 3SB36 03-1CA21	0.091 1
		unlatching by pulling			1 NO + 1 NC	▶ 3SB36 01-1CA21	0.100

1) Inscription by inserting a label is possible.

# SIGNUM 3SB3 Metallic Pushbutton Units and Indicator Lights

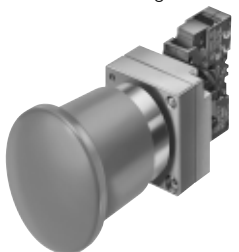
## ○ Round Program, 22 mm

### Complete units Selection and ordering data

	Version	Type	Colour of actuator/ Lock No.	Contacts for front-plate mounting version	Order No. Preferred type	Price 1 unit	Weight approx.	
							kg	Units
Knob 	<b>Knob, 2 switching positions</b> Switching sequence O-I, maintained-contact type, 50° operating angle 		black, <b>standard version</b>	1 NO	▶ <b>3SB36 02-2KA11</b>		0.081	1
				1 NO + 1 NC	▶ <b>3SB36 01-2KA11</b>		0.090	
			black, <b>heavy duty version</b>	1 NO	▶ <b>3SB36 02-2PA11</b>		0.081	1
				1 NO + 1 NC	▶ <b>3SB36 01-2PA11</b>		0.090	
RONIS safety lock 	<b>Knob, 3 switching positions</b> Switching sequence I-O-II, maintained-contact type 2 × 50° operating angle 		black, <b>standard version</b>	1 NO, 1 NO	▶ <b>3SB36 10-2DA11</b>		0.091	1
				1 NO + 1 NC, 1 NO + 1 NC	▶ <b>3SB36 08-2DA11</b>		0.109	
			black, <b>heavy duty version</b>	1 NO, 1 NO	▶ <b>3SB36 10-2SA11</b>		0.091	1
				1 NO + 1 NC, 1 NO + 1 NC	▶ <b>3SB36 08-2SA11</b>		0.109	
			black, <b>standard version</b>	1 NO, 1 NO	▶ <b>3SB36 10-2EA11</b>		0.091	1
				1 NO + 1 NC, 1 NO + 1 NC	▶ <b>3SB36 08-2EA11</b>		0.109	
			black, <b>heavy duty version</b>	1 NO, 1 NO	▶ <b>3SB36 10-2TA11</b>		0.091	1
				1 NO + 1 NC, 1 NO + 1 NC	▶ <b>3SB36 08-2TA11</b>		0.109	
Indicator light 	<b>Safety lock, flat 2 switching positions</b> Switching sequence O-I, maintained-contact type, with key removable in any position, 50° operating angle 	RONIS SB 30		1 NO	▶ <b>3SB36 02-4AD11</b>		0.104	1
				1 NO + 1 NC	▶ <b>3SB36 01-4AD11</b>		0.113	
EMERGENCY-STOP mushroom-shaped pushbutton unit with turn unlatching mechanism 	<b>Indicator light with concentric rings</b> with BA 9s lamp holder Operational voltage 24 V AC/DC with BA 9s lamp holder and 24 V incandescent lamp (3SX1 344) Operational voltage 220/230 V AC with BA 9s lamp holder, integrated voltage reducer and 130 V lamp (3SX1 731)		red		▶ <b>3SB36 04-6BA20</b>		0.068	1
			yellow		▶ <b>3SB36 04-6BA30</b>			
			green		▶ <b>3SB36 04-6BA40</b>			
			blue		▶ <b>3SB36 04-6BA50</b>			
			white		▶ <b>3SB36 04-6BA60</b>			
			clear		▶ <b>3SB36 04-6BA70</b>			
			red		▶ <b>3SB36 17-6BA20</b>		0.073	1
			yellow		▶ <b>3SB36 17-6BA30</b>			
			green		▶ <b>3SB36 17-6BA40</b>			
			blue		▶ <b>3SB36 17-6BA50</b>			
white		▶ <b>3SB36 17-6BA60</b>		0.080	1			
clear		▶ <b>3SB36 17-6BA70</b>						

**EMERGENCY-STOP control units with yellow backing plate, Ø 80 mm, inscribed, can also be used with 3TK28 contactor safety combinations (see Part 8)**

EMERGENCY-STOP mushroom-shaped pushbutton unit with unlocking device



**Mushroom-shaped pushbutton units Ø 40 mm with positive latching function acc. to EN 418** with turn unlatching mechanism

**Mushroom-shaped pushbutton units Ø 40 mm with positive latching function acc. to EN 418** with unlocking device

red

1 NC →

▶ **3SB36 03-1HA20**

0.115 1

1 NO + 1 NC →

▶ **3SB36 01-1HA20**

0.124

red

1 NO →

▶ **3SB36 03-1TA20**

0.116 1

1 NO + 1 NC →

▶ **3SB36 01-1TA20**

0.125 1

→ Safety function according to IEC 60 947-5-1-3 and DIN VDE 0660, Part 200.

# SIGNUM 3SB3 Metallic Pushbutton Units and Indicator Lights

○ Round Program, 22 mm

## Pushbuttons/illuminated pushbuttons and switches Selection and ordering data

Version	Colour of actuator	Order No.	Price	Weight approx.	Packing
		▶ Preferred type	1 unit	kg	Unit
 Pushbutton unit with flat button	<b>including holder</b> <b>Pushbutton units with flat button</b> black red yellow green blue white, clear <sup>1)</sup> green red white black Inscription I Inscription O Inscription I Inscription O	▶ 3SB35 00-0AA11 ▶ 3SB35 00-0AA21 ▶ 3SB35 00-0AA31 ▶ 3SB35 00-0AA41 ▶ 3SB35 00-0AA51 ▶ 3SB35 00-0AA61 ▶ 3SB35 00-0AA71 ▶ 3SB35 00-0AA81 ▶ 3SB35 00-0AB01 ▶ 3SB35 00-0AB11 ▶ 3SB35 00-0AB21		0.062	5
 Pushbutton unit with raised button	<b>Pushbutton units with raised button</b> black red yellow blue white	▶ 3SB35 00-0BA11 ▶ 3SB35 00-0BA21 ▶ 3SB35 00-0BA31 ▶ 3SB35 00-0BA51 ▶ 3SB35 00-0BA61		0.063	5
 Pushbutton unit with raised front-ring (Height 15.5 mm)	<b>Pushbutton units with raised front-ring</b> (Height 15.5 mm) black red yellow green blue white	▶ 3SB35 00-0AA12 ▶ 3SB35 00-0AA22 ▶ 3SB35 00-0AA32 ▶ 3SB35 00-0AA42 ▶ 3SB35 00-0AA52 ▶ 3SB35 00-0AA62		0.067	5
 Illuminated pushbutton unit with flat button	<b>Illuminated pushbutton units with flat button</b> incl. holder for 3 elements red <sup>1)</sup> yellow <sup>1)</sup> green <sup>1)</sup> blue <sup>1)</sup> white clear <sup>1)</sup>	▶ 3SB35 01-0AA21 ▶ 3SB35 01-0AA31 ▶ 3SB35 01-0AA41 ▶ 3SB35 01-0AA51 ▶ 3SB35 01-0AA61 ▶ 3SB35 01-0AA71		0.064	5
 Illuminated pushbutton unit with raised button	<b>Illuminated pushbutton units with raised button</b> incl. holder for 3 elements red yellow green blue clear	▶ 3SB35 01-0BA21 ▶ 3SB35 01-0BA31 ▶ 3SB35 01-0BA41 ▶ 3SB35 01-0BA51 ▶ 3SB35 01-0BA71		0.065	5
 Illuminated pushbutton unit with raised button	<b>Pushbutton units, latching, with flat button</b> unlatching by pressing again black red yellow green blue white	▶ 3SB35 00-0DA11 ▶ 3SB35 00-0DA21 ▶ 3SB35 00-0DA31 ▶ 3SB35 00-0DA41 ▶ 3SB35 00-0DA51 ▶ 3SB35 00-0DA61		0.062	5
 Mushroom-shaped pushbutton unit Ø 30 mm	<b>Illuminated pushbutton units, latching, with flat button</b> incl. holder for 3 elements unlatching by pressing again red <sup>1)</sup> yellow <sup>1)</sup> green <sup>1)</sup> blue <sup>1)</sup> white clear <sup>1)</sup>	▶ 3SB35 01-0DA21 ▶ 3SB35 01-0DA31 ▶ 3SB35 01-0DA41 ▶ 3SB35 01-0DA51 ▶ 3SB35 01-0DA61 ▶ 3SB35 01-0DA71		0.062	5
 Mushroom-shaped pushbutton unit Ø 30 mm	<b>Mushroom-shaped pushbutton units, Ø 30 mm</b> black red yellow green	▶ 3SB35 00-1DA11 ▶ 3SB35 00-1DA21 ▶ 3SB35 00-1DA31 ▶ 3SB35 00-1DA41		0.075	5
 Mushroom-shaped pushbutton unit Ø 40 mm	<b>Mushroom-shaped pushbutton units, Ø 40 mm</b> black red yellow green	▶ 3SB35 00-1GA11 ▶ 3SB35 00-1GA21 ▶ 3SB35 00-1GA31 ▶ 3SB35 00-1GA41		0.080	5

1) Inscription by inserting a label possible.

# SIGNUM 3SB3 Metallic Pushbutton Units and Indicator Lights

## ○ Round Program, 22 mm

### Pushbuttons/Illuminated pushbuttons and switches Selection and ordering data

	Version	Colour of actuator	Order No.	Price	Weight approx.	Packing
			Preferred type	1 unit	kg	Units
 <p>Mushroom-shaped pushbutton unit Ø 60 mm</p>	<b>including holder</b>					
	<b>Mushroom-shaped pushbutton units, Ø 60 mm</b>	black red yellow green	<b>3SB35 00-1QA11</b> <b>3SB35 00-1QA21</b> <b>3SB35 00-1QA31</b> <b>3SB35 00-1QA41</b>		0.079	5
	<b>Illuminated mushroom-shaped pushbutton units, Ø 30 mm</b> incl. holder for 3 elements	yellow green white	▶ <b>3SB35 01-1DA31</b> <b>3SB35 01-1DA41</b> <b>3SB35 01-1DA61</b>		0.077	5
	<b>Illuminated mushroom-shaped pushbutton units, Ø 40 mm</b> incl. holder for 3 elements	yellow green white	<b>3SB35 01-1GA31</b> <b>3SB35 01-1GA41</b> <b>3SB35 01-1GA61</b>		0.082	5
	<b>Illuminated mushroom-shaped pushbutton units, Ø 60 mm</b> incl. holder for 3 elements	yellow green white	<b>3SB35 01-1QA31</b> <b>3SB35 01-1QA41</b> <b>3SB35 01-1QA61</b>		0.081	
 <p>Push-pull switch Ø 30 mm</p>	<b>Push-pull switch Ø 30 mm latching</b> unlatching by pulling	black red <sup>1)</sup>	<b>3SB35 00-1EA11</b> <b>3SB35 00-1EA21</b>		0.076	5
	<b>Push-pull switch Ø 40 mm latching</b> unlatching by pulling	black red <sup>1)</sup>	▶ <b>3SB35 00-1CA11</b> ▶ <b>3SB35 00-1CA21</b>		0.081	5
 <p>Push-pull switch, Ø 40 mm, can be illuminated</p>	<b>Push-pull switch Ø 60 mm latching</b> unlatching by pulling	black red <sup>1)</sup>	<b>3SB35 00-1RA11</b> <b>3SB35 00-1RA21</b>		0.080	5
	<b>Push-pull switch Ø 30 mm latching, can be illuminated</b> incl. holder for 3 elements, unlatching by pulling	red yellow green blue clear	<b>3SB35 01-1EA21</b> <b>3SB35 01-1EA31</b> <b>3SB35 01-1EA41</b> <b>3SB35 01-1EA51</b> <b>3SB35 01-1EA71</b>		0.078	5
 <p>Push-pull switch, Ø 60 mm, can be illuminated</p>	<b>Push-pull switch Ø 40 mm latching, can be illuminated</b> incl. holder for 3 elements, unlatching by pulling	red yellow green blue clear	▶ <b>3SB35 01-1CA21</b> <b>3SB35 01-1CA31</b> <b>3SB35 01-1CA41</b> <b>3SB35 01-1CA51</b> <b>3SB35 01-1CA71</b>		0.083	5
	<b>Push-pull switch Ø 60 mm latching, can be illuminated</b> incl. holder for 3 elements, unlatching by pulling	red yellow green blue clear	<b>3SB35 01-1RA21</b> <b>3SB35 01-1RA31</b> <b>3SB35 01-1RA41</b> <b>3SB35 01-1RA51</b> <b>3SB35 01-1RA71</b>		0.082	5

1) Maximum permissible fittings: 3 single pole or 2 double-pole contact elements. When using the 3SB39 01-0AB holder, the central command position must not be empty.

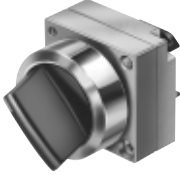
# SIGNUM 3SB3 Metallic Pushbutton Units and Indicator Lights

○ Round Program, 22 mm

## Knobs Selection and ordering data

Version	Colour of actuator	Order No.	Price	Weight approx.	Packing
		▶ Preferred type	1 unit	kg	Units

Knob, 2 switching positions



### including holder

#### Knobs with 2 switching positions



Switching sequence O-I, maintained-contact type, 50° operating angle

**unilluminated, standard version**

black  
red  
green  
white

▶ **3SB35 00-2KA11**  
**3SB35 00-2KA21**  
**3SB35 00-2KA41**  
**3SB35 00-2KA61**

0.071 5

**illuminated, standard version,**  
incl. holder  
for 3 elements,

red  
yellow  
green  
blue  
clear

▶ **3SB35 01-2KA21**  
▶ **3SB35 01-2KA31**  
▶ **3SB35 01-2KA41**  
▶ **3SB35 01-2KA51**  
▶ **3SB35 01-2KA71**

0.073 5

**unilluminated, heavy duty version**

black  
red  
green  
white

▶ **3SB35 00-2PA11**  
**3SB35 00-2PA21**  
**3SB35 00-2PA41**  
**3SB35 00-2PA61**

0.071 1

**illuminated, heavy duty version,**  
incl. holder  
for 3 elements,

red  
yellow  
green  
blue  
clear

▶ **3SB35 01-2PA21**  
▶ **3SB35 01-2PA31**  
▶ **3SB35 01-2PA41**  
▶ **3SB35 01-2PA51**  
▶ **3SB35 01-2PA71**

0.073 1



Switching sequence O-I, momentary-contact type (return from right), 50° operating angle

**unilluminated, standard version**

black  
red  
green  
white

▶ **3SB35 00-2LA11**  
**3SB35 00-2LA21**  
**3SB35 00-2LA41**  
**3SB35 00-2LA61**

0.071 5

**illuminated, standard version,**  
incl. holder  
for 3 elements,

red  
yellow  
green  
blue  
clear

**3SB35 01-2LA21**  
**3SB35 01-2LA31**  
**3SB35 01-2LA41**  
**3SB35 01-2LA51**  
**3SB35 01-2LA71**

0.073 5

**unilluminated, heavy duty version**

black  
red  
green  
white

▶ **3SB35 00-2QA11**  
**3SB35 00-2QA21**  
**3SB35 00-2QA41**  
**3SB35 00-2QA61**

0.071 1

**illuminated, heavy duty version,**  
incl. holder  
for 3 elements,

red  
yellow  
green  
blue  
clear

**3SB35 01-2QA21**  
**3SB35 01-2QA31**  
**3SB35 01-2QA41**  
**3SB35 01-2QA51**  
**3SB35 01-2QA71**

0.073 1

# SIGNUM 3SB3 Metallic Pushbutton Units and Indicator Lights

## ○ Round Program, 22 mm

### Knobs Selection and ordering data

Illuminated knob,  
3 switching positions



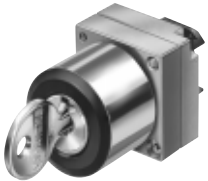
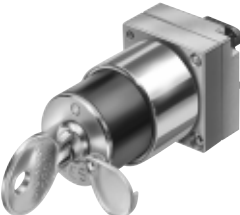



Version		Colour of actuator	Order No.	Price	Weight approx.	Packing	
			▶ Preferred type	1 unit	kg	units	
<i>including holder</i>							
<p>Switching sequence I-O-II, maintained-contact type, 2 x 50° operating angle</p>	<b>Knobs with 3 switching positions</b>	<b>unilluminated, standard version</b>	black red green white	▶ 3SB35 00-2DA11 3SB35 00-2DA21 ▶ 3SB35 00-2DA41 3SB35 00-2DA61	0.071	5	
		<b>illuminated, standard version, incl. holder for 3 elements,</b>	red yellow green blue clear	▶ 3SB35 01-2DA21 ▶ 3SB35 01-2DA31 ▶ 3SB35 01-2DA41 3SB35 01-2DA51 ▶ 3SB35 01-2DA71	0.073	5	
		<b>unilluminated, heavy duty version</b>	black red green white	▶ 3SB35 00-2SA11 3SB35 00-2SA21 ▶ 3SB35 00-2SA41 3SB35 00-2SA61	0.071	1	
		<b>illuminated, heavy duty version, incl. holder for 3 elements,</b>	red yellow green blue clear	▶ 3SB35 01-2SA21 ▶ 3SB35 01-2SA31 ▶ 3SB35 01-2SA41 3SB35 01-2SA51 ▶ 3SB35 01-2SA71	0.073	1	
	<p>Switching sequence I-O-II, momentary-contact type (return from right and left), 2 x 50° operating angle</p>		<b>unilluminated, standard version</b>	black red green white	▶ 3SB35 00-2EA11 3SB35 00-2EA21 3SB35 00-2EA41 3SB35 00-2EA61	0.071	5
			<b>illuminated, standard version, incl. holder for 3 elements,</b>	red yellow green blue clear	3SB35 01-2EA21 3SB35 01-2EA31 ▶ 3SB35 01-2EA41 3SB35 01-2EA51 3SB35 01-2EA71	0.073	5
			<b>unilluminated, heavy duty version</b>	black red green white	▶ 3SB35 00-2TA11 3SB35 00-2TA21 3SB35 00-2TA41 3SB35 00-2TA61	0.071	1
			<b>illuminated, heavy duty version, incl. holder for 3 elements,</b>	red yellow green blue clear	3SB35 01-2TA21 3SB35 01-2TA31 ▶ 3SB35 01-2TA41 3SB35 01-2TA51 3SB35 01-2TA71	0.073	1
	<p>Switching sequence I-O-II, maintained-contact type to the right, momentary-contact type to the left (return from the left), 2 x 50° operating angle</p>		<b>unilluminated<sup>1)</sup>, standard version</b>	black red green white	▶ 3SB35 00-2GA11 3SB35 00-2GA21 3SB35 00-2GA41 3SB35 00-2GA61	0.071	5
			<b>unilluminated<sup>1)</sup>, heavy duty version</b>	black red green white	▶ 3SB35 00-2VA11 3SB35 00-2VA21 3SB35 00-2VA41 3SB35 00-2VA61	0.071	1
			<b>unilluminated<sup>1)</sup>, standard version</b>	black red green white	▶ 3SB35 00-2FA11 3SB35 00-2FA21 3SB35 00-2FA41 3SB35 00-2FA61	0.071	5
				<b>unilluminated<sup>1)</sup>, heavy duty version</b>	black red green white	▶ 3SB35 00-2UA11 3SB35 00-2UA21 3SB35 00-2UA41 3SB35 00-2UA61	0.071

1) Also available as illuminated knob. When ordering, add “-Z” to Order No. and indicate “illuminated knob” and the colour in plain text.

# SIGNUM 3SB3 Metallic Pushbutton Units and Indicator Lights

○ Round Program, 22 mm

## Safety locks Selection and ordering data

Version	Type	Lock No./ Colour	Key with-drawable at position	Order No.	Price	Weight approx.	Packing	
				▶ Preferred type	1 unit	kg	Units	
<i>including holder</i>								
<b>Safety locks with 2 keys, 2 positions</b>								
RONIS safety lock 	○   ↙	Switching sequence O-I, maintained-contact type, 50° operating angle		▶ RONIS SB 30 flat	▶ 3SB35 00-4AD11 ▶ 3SB35 00-4AD01 ▶ 3SB35 00-4AD21	0.094	1	
		CES SSG 10	O+I O I	▶ 3SB35 00-4LD11 ▶ 3SB35 00-4LD01 ▶ 3SB35 00-4LD21	0.175	1		
		LSG 10	O+I O	▶ 3SB35 00-4LF01 ▶ 3SB35 00-4LF11				
		IKON 360012K1	O+I O	▶ 3SB35 00-5LD11 ▶ 3SB35 00-5LD01	0.180	1		
CES safety lock 	○   ↙	Switching sequence O-I, momentary-contact type (return from the right), 50° operating angle		BKS S1	▶ 3SB35 00-5AD11 ▶ 3SB35 00-5AD01 ▶ 3SB35 00-5AD21	0.175	1	
		E1 for VW <sup>1)</sup>	O+I O	▶ 3SB35 00-5AE01 ▶ 3SB35 00-5AE11				
		E2 for VW <sup>1)</sup>	O+I O	▶ 3SB35 00-5AE21 ▶ 3SB35 00-5AE31				
		E7 for VW <sup>1)</sup>	O+I O	▶ 3SB35 00-5AE41 ▶ 3SB35 00-5AE51				
		E9 for VW <sup>1)</sup>	O+I O	▶ 3SB35 00-5AE61 ▶ 3SB35 00-5AE71				
IKON safety lock 	○   ↙	Switching sequence O-I, momentary-contact type (return from the right), 50° operating angle		O.M.R. <sup>2)</sup> 73038 light blue	▶ 3SB35 00-3AG11 ▶ 3SB35 00-3AG01 ▶ 3SB35 00-3AG21	0.165	1	
		73037 red	O+I O I	▶ 3SB35 00-3AH11 ▶ 3SB35 00-3AH01 ▶ 3SB35 00-3AH21				
		73034 black	O+I O I	▶ 3SB35 00-3AJ11 ▶ 3SB35 00-3AJ01 ▶ 3SB35 00-3AJ21				
		73033 yellow	O+I O I	▶ 3SB35 00-3AK11 ▶ 3SB35 00-3AK01 ▶ 3SB35 00-3AK21				
BKS safety lock 	○   ↙	Switching sequence O-I, momentary-contact type (return from the right), 50° operating angle		▶ RONIS SB 30 flat	▶ 3SB35 00-4BD01	0.094	1	
		CES SSG 10	O	▶ 3SB35 00-4MD01	0.175			1
		LSG1	O	▶ 3SB35 00-4MF11				
		IKON 360012K1	O	▶ 3SB35 00-5MD01	0.180			1
O.M.R. safety lock 	○   ↙	Switching sequence O-I, momentary-contact type (return from the right), 50° operating angle		BKS S1	▶ 3SB35 00-5BD01	0.175	1	
		O.M.R. <sup>2)</sup> 73038 light blue	O	▶ 3SB35 00-3BG01	0.165			1
		73037 red	O	▶ 3SB35 00-3BH01				
		73034 black	O	▶ 3SB35 00-3BJ01				
		73033 yellow	O	▶ 3SB35 00-3BK01				

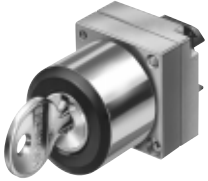

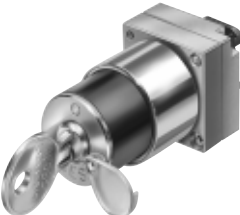

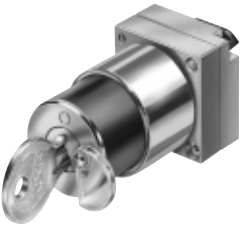



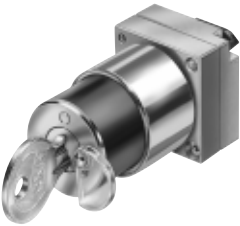
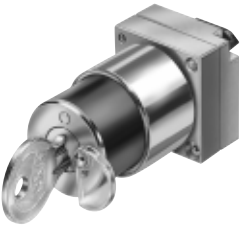
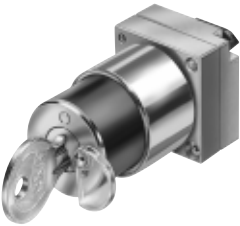

1) Supplied without the key.

2) In accordance with FIAT car company standards, can also be used by other users.

# SIGNUM 3SB3 Metallic Pushbutton Units and Indicator Lights

## ○ Round Program, 22 mm

### Safety locks Selection and ordering data

Version	Type	Lock No./ Colour	Key with-drawable at position	Order No.	Price	Weight approx.	Packing
				▶ Preferred type	1 unit	kg	Units
<i>including holder</i>							
<b>Safety lock with 2 keys, 3 positions</b>							
RONIS safety lock 	RONIS SB 30 flat	Switching sequence I-O-II, maintained-contact type, 50° operating angle 	O+I+II	▶ <b>3SB35 00-4DD11</b>		0.094	1
			O	▶ <b>3SB35 00-4DD01</b>			
			I+II	▶ <b>3SB35 00-4DD41</b>			
			I	<b>3SB35 00-4DD21</b>			
			II	<b>3SB35 00-4DD31</b>			
			O+I	<b>3SB35 00-4DD51</b>			
CES safety lock 	CES SSG 10		O+I+II	▶ <b>3SB35 00-4PD11</b>		0.175	1
			O	▶ <b>3SB35 00-4PD01</b>			
			I+II	▶ <b>3SB35 00-4PD41</b>			
			I	<b>3SB35 00-4PD21</b>			
			II	<b>3SB35 00-4PD31</b>			
IKON safety lock 	IKON 360012K1		O+I+II	<b>3SB35 00-5PD11</b>		0.180	1
			O	<b>3SB35 00-5PD01</b>			
			I+II	<b>3SB35 00-5PD41</b>			
BKS safety lock 	BKS S1		O+I+II	<b>3SB35 00-5DD11</b>		0.175	1
			O	<b>3SB35 00-5DD01</b>			
			I+II	<b>3SB35 00-5DD41</b>			
			I	<b>3SB35 00-5DD21</b>			
			II	<b>3SB35 00-5DD31</b>			
O.M.R. safety lock 	O.M.R. 73038 light blue <sup>1)</sup>		I+O+II	<b>3SB35 00-3DG11</b>		0.165	1
			O	<b>3SB35 00-3DG01</b>			
			I+II	<b>3SB35 00-3DG41</b>			
			I+O+II	<b>3SB35 00-3DH11</b>			
			O	<b>3SB35 00-3DH01</b>			
			I+II	<b>3SB35 00-3DH41</b>			
			I+O+II	<b>3SB35 00-3DJ11</b>			
			O	<b>3SB35 00-3DJ01</b>			
			I+II	<b>3SB35 00-3DJ41</b>			
			I+O+II	<b>3SB35 00-3DK11</b>			
			O	<b>3SB35 00-3DK01</b>			
			I+II	<b>3SB35 00-3DK41</b>			
RONIS safety lock 	RONIS SB 30 flat	Switching sequence I-O-II, momentary-contact type (return from right and left), 2 x 50° operating angle 	O	▶ <b>3SB35 00-4ED01</b>		0.094	1
CES safety lock 	CES SSG 10		O	▶ <b>3SB35 00-4QD01</b>		0.175	1
IKON safety lock 	IKON 350012K1		O	▶ <b>3SB35 00-5QD01</b>		0.180	1
BKS safety lock 	BKS S1		O	<b>3SB35 00-5ED01</b>		0.175	1
O.M.R. safety lock 	O.M.R. 73038 light blue <sup>1)</sup>		O	<b>3SB35 00-3EG01</b>		0.165	1
			O	<b>3SB35 00-3EH01</b>			
			O	<b>3SB35 00-3EJ01</b>			
			O	<b>3SB35 00-3EK01</b>			

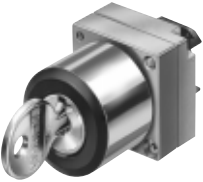

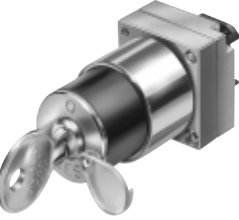




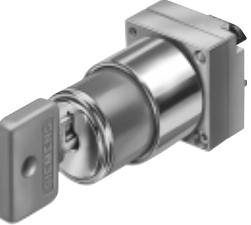

1) In accordance with FIAT car company standards; can also be used by other users.



# SIGNUM 3SB3 Metallic Pushbutton Units and Indicator Lights

○ Round Program, 22 mm

## Safety locks Selection and ordering data

Version	Type	Lock No./ Colour	Key with- drawable at position	Order No.	Price	Weight approx.	Packing
					1 unit	kg	Units
<i>including holder</i>							
<b>Safety lock with 2 keys, 3 positions</b>							
RONIS safety lock 	Switching sequence I-O-II, maintained-contact type to the right, momentary-contact type to the left (return from the left), 2 × 50° operating angle 	RONIS SB 30 flat	O+II O II	<b>3SB35 00-4GD61</b> <b>3SB35 00-4GD01</b> <b>3SB35 00-4GD31</b>		0.094	1
		CES SSG 10	O+II O II	<b>3SB35 00-4SD61</b> <b>3SB35 00-4SD01</b> <b>3SB35 00-4SD31</b>		0.175	1
		IKON 360012K1	O II	<b>3SB35 00-5SD01</b> <b>3SB35 00-5SD31</b>		0.180	1
		BKS S1	O+II O II	<b>3SB35 00-5GD61</b> <b>3SB35 00-5GD01</b> <b>3SB35 00-5GD31</b>		0.175	1
CES safety lock 	Switching sequence I-O-II, maintained-contact type to the left, momentary-contact type to the right (return from the right), 2 × 50° operating angle° 	O.M.R. 73038 light blue	O II	<b>3SB35 00-3GG01</b> <b>3SB35 00-3GG31</b>		0.165	1
		73037 red	O II	<b>3SB35 00-3GH01</b> <b>3SB35 00-3GH31</b>			
		73034 black	O II	<b>3SB35 00-3GJ01</b> <b>3SB35 00-3GJ31</b>			
		73033 yellow	O II	<b>3SB35 00-3GK01</b> <b>3SB35 00-3GK31</b>			
		IKON safety lock 	RONIS SB 30 flat	O+I O I	<b>3SB35 00-4FD51</b> <b>3SB35 00-4FD01</b> <b>3SB35 00-4FD21</b>		0.094
BKS safety lock 	Switching sequence I-O-II, maintained-contact type to the left, momentary-contact type to the right (return from the right), 2 × 50° operating angle° 	CES SSG 10	O+I O I	<b>3SB35 00-4RD51</b> <b>3SB35 00-4RD01</b> <b>3SB35 00-4RD21</b>		0.175	1
		IKON I350012K1	O+I O I	<b>3SB35 00-5RD51</b> <b>3SB35 00-5RD01</b> <b>3SB35 00-5RD21</b>		0.180	1
		BKS S1	O+I O I	<b>3SB35 00-5FD51</b> <b>3SB35 00-5FD01</b> <b>3SB35 00-5FD21</b>		0.175	1
		O.M.R. 73038 light blue	O I	<b>3SB35 00-3FG01</b> <b>3SB35 00-3FG21</b>		0.165	1
O.M.R. safety lock 	Switching sequence I-O-II, maintained-contact type to the left, momentary-contact type to the right (return from the right), 2 × 50° operating angle° 	73037 red	O I	<b>3SB35 00-3FH01</b> <b>3SB35 00-3FH21</b>			
		73034 black	O I	<b>3SB35 00-3FJ01</b> <b>3SB35 00-3FJ21</b>			
		73033 yellow	O I	<b>3SB35 00-3FK01</b> <b>3SB35 00-3FK21</b>			

Type	Possible special lock Nos.
------	----------------------------

### Special design for safety locks

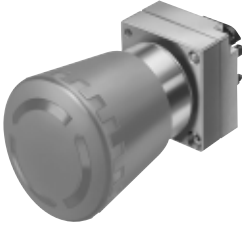

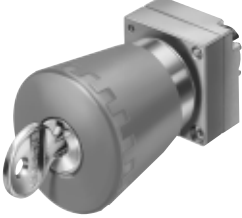
- a) Additional price for locks with Ø 24.5 mm standard lock cylinder.  
When ordering, supplement the Order No. with “-Z”, Order Code **Y01** and state the required lock No.  
Special locks for VW will be delivered without keys, all others with 2 keys.
- b) No additional price for locks shown in the adjacent table.  
When ordering, supplement the Order No. with “-Z”, Order Code **Y02** and state the required lock No.

RONIS SB 31 to SB 49  
T 421, T 455, T 458


# SIGNUM 3SB3 Metallic Pushbutton Units and Indicator Lights

## ○ Round Program, 22 mm

### EMERGENCY-STOP mushroom-shaped pushbutton units Selection and ordering data

	Version	Colour of actuator, key withdrawable at position	Order No.	Price	Weight approx.	Packing
			▶ Preferred type	1 unit	kg	Units
<p>EMERGENCY-STOP mushroom-shaped pushbutton unit with turn unlatching mechanism</p> 	<i>including holder</i>					
	<b>Mushroom-shaped pushbutton units, Ø 40 mm with positive latching acc. to EN 418<sup>1)</sup></b> unlatching by turning the knob to the left	red	▶ <b>3SB35 00–1HA20</b>		0.105	5
	<b>Mushroom-shaped pushbutton units, Ø 40 mm with positive latching acc. to EN 418<sup>1)</sup></b> with unlocking device	red	▶ <b>3SB35 00–1TA20</b>		0.106	1
<p>EMERGENCY-STOP mushroom-shaped pushbutton unit with unlocking device</p> 	<b>Mushroom-shaped pushbutton units, Ø 40 mm with positive latching acc. to EN 418 and RONIS safety lock, flat<sup>1)</sup></b> Lock No. SB30, supplied with 2 keys, unlocking only possible using key	red ON/OFF	▶ <b>3SB35 00–1BA20</b>		0.110	1
	<b>Mushroom-shaped pushbutton units, Ø 40 mm with positive latching acc. to EN 418 and CES safety lock<sup>1)</sup></b> Lock No. SSG10, supplied with 2 keys, unlocking only possible using key	red ON/OFF	▶ <b>3SB35 00–1KA20</b>		0.190	1
<p>EMERGENCY-STOP mushroom-shaped pushbutton unit with safety lock</p> 	<b>Mushroom-shaped pushbutton units, Ø 40 mm with positive latching acc. to EN 418 and IKON safety lock<sup>1)</sup></b> Lock No. 360012K1, supplied with 2 keys, unlocking only possible using key	red ON/OFF	<b>3SB35 00–1UA20</b>		0.190	1
	<b>Mushroom-shaped pushbutton units, Ø 40 mm with positive latching acc. to EN 418 and BKS safety lock<sup>1)</sup></b> Lock No. S1, supplied with 2 keys, unlocking only possible using key	red ON/OFF	<b>3SB35 00–1LA20</b>		0.190	1
	<b>Mushroom-shaped pushbutton units, Ø 40 mm with positive latching acc. to EN 418 and O.M.R. safety lock<sup>1)</sup></b> Lock No. 73037, supplied with 2 keys, unlocking only possible using key	red ON/OFF	<b>3SB35 00–1MA20</b>		0.190	1

### Indicator lights and audible signal devices Selection and ordering data

	Version	Colour of lens	Order No.	Price	Weight approx.	Packing
			▶ Preferred type	1 unit	kg	Units
<p>Indicator light, smooth</p> 	<i>including holder</i>					
	<b>Indicator lights with concentric rings</b>	red yellow green blue white clear	▶ <b>3SB35 01–6BA20</b> ▶ <b>3SB35 01–6BA30</b> ▶ <b>3SB35 01–6BA40</b> <b>3SB35 01–6BA50</b> ▶ <b>3SB35 01–6BA60</b> ▶ <b>3SB35 01–6BA70</b>		0.055	5
	<b>Indicator lights, smooth</b>	red yellow green blue white clear	<b>3SB35 01–6AA20</b> <b>3SB35 01–6AA30</b> <b>3SB35 01–6AA40</b> <b>3SB35 01–6AA50</b> <b>3SB35 01–6AA60</b> <b>3SB35 01–6AA70</b>			

1) Yellow contrast plate must be ordered separately, see page 9/53.