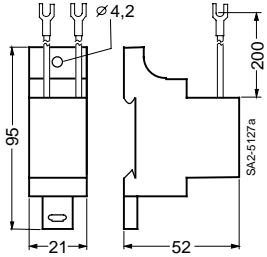


Accessories for 3TF5 and 3TK5 Contactors

Dimensions

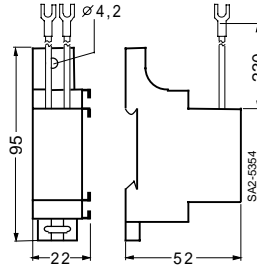
3TX7 462-3., 3TX7 522-3., 3TX7 572-3. RC elements and varistors

for 3TF50 to 3TF56 contactors, sizes 6 to 12,
3TF57, 3TF68 and 3TF69 contactors with DC economy circuit, sizes 12 and 14,
and 3TK50 to 3TK56, sizes 6 to 12



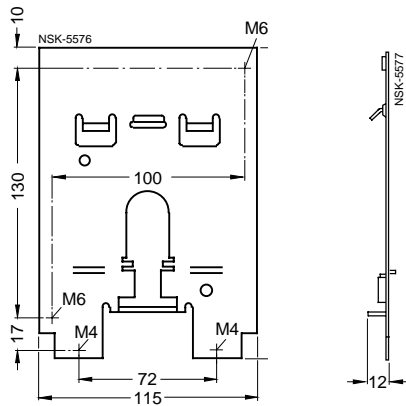
3TX7 090-0D interface

for snapping onto the side
of 3TF50 to 3TF69 contactors, sizes 6 to 14,
and 3TK50 to 3TK56 contactors, sizes 6 to 12



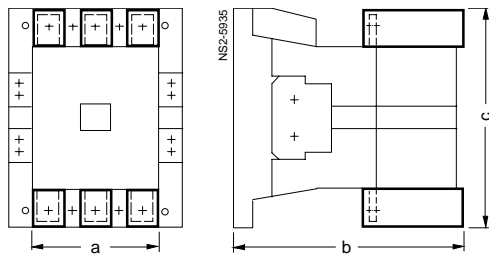
3TX65 01-0A baseplates for snap-on mounting

for 3TF50, 3TF51 and 3TK50 contactors



3TX7 box terminals for laminated copper bars

Box terminals with cover, mounted onto contactor

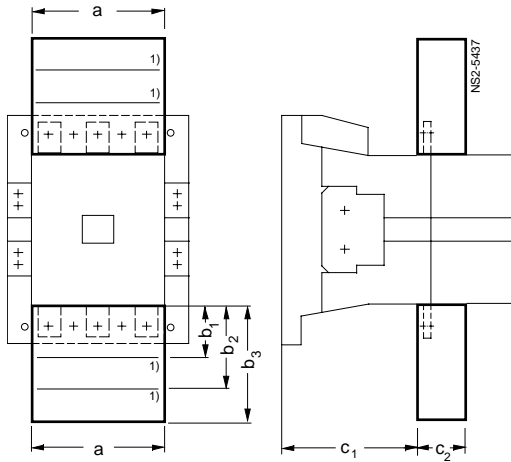


For contactor Type	Box terminal	a	b	c
3TF51, 3TK50 3TF52	3TX7 510-1.	118	154	181
		118	177	194
3TF53, 3TF52 3TF54, 3TF55, 3TK54 3TF56	3TX7 530-1.	138	194	214
		138	206	222
		138	225	234
3TF57, 3TK56 3TF68	3TX7 570-1.	146	227	236
		182	178	300
3TF69	3TX7 690-1F	200	219	320

Dimensions

3TX7 506-0A terminal cover

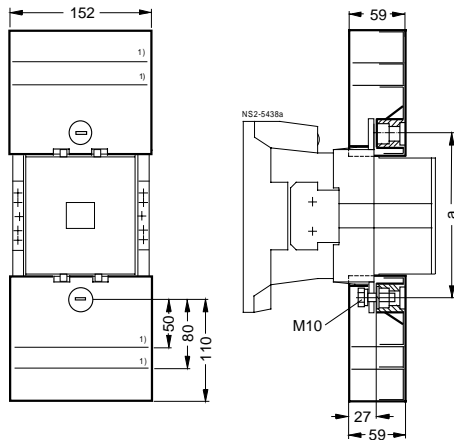
for 3TF50 to 3TF52 contactors, sizes 6 and 8,
and 3TK50, size 6
without box terminals: on the contactor enclosure (as shown),
with box terminals: on the box terminal block.



For contactor Type	Terminal cover	Without box terminal on the contactor cover					
		a	b ₁	b ₂	b ₃	c ₁	c ₂
3TF50, 3TF51, 3TK50	3TX7 506-0A	120	33	70	98	78	45
3TF52	3TX7 506-0A	120	33	70	98	100	45

3TX7 536-0A terminal cover

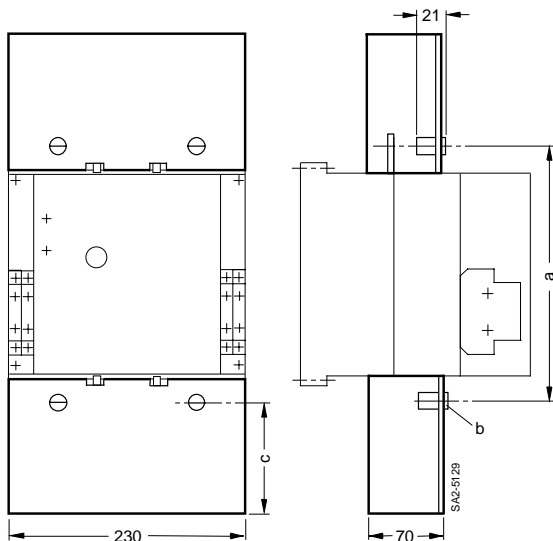
for 3TF53 to 3TF57 contactors, sizes 8 to 12,
and 3TK52 to 3TK56, sizes 8 to 12,
for screwing onto the free end of the screw on the middle main conducting path



For contactor Type	Terminal cover	a
3TF53, 3TK52	3TX7 536-0A	159
3TF54, 3TF55, 3TK54	3TX7 536-0A	168
3TF56	3TX7 536-0A	178
3TF57, 3TK56	3TX7 536-0A	182

3TX7 686-0A and 3TX7 696-0A terminal covers

for 3TF68 and 3TF69 contactors, size 14,
for screwing onto the free end of the two screw on the outer conducting paths



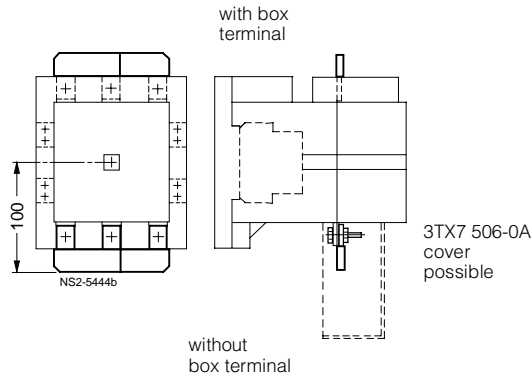
For contactor Type	Terminal cover	a	b	c
3TF68	3TX7 686-0A	245	M10	104
3TF69	3TX7 696-0A	255	M12	99

1) Rupture joint.

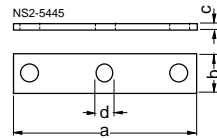
Accessories for 3TF5 and 3TK5 Contactors

Dimensions

3TX7 500-0D links for paralleling, 3-pole, without terminal
for 3TF50 contactor

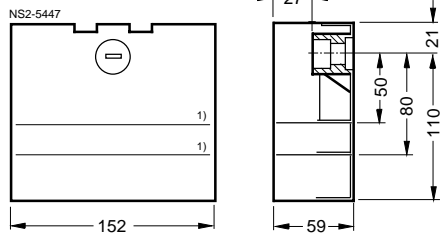


3TX7 520-0D to 3TX7 680-0D
for 3TF51 to 3TF68 contactors
and 3TK50 to 3TK56 contactors

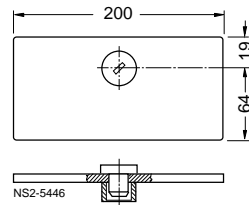


Type	a	b	c	d
3TX7 520-0D	104	20	4	9
3TX7 540-0D	121	25	6	11
3TX7 570-0D	134	25	6	11
3TX7 680-0D	170	30	5	11

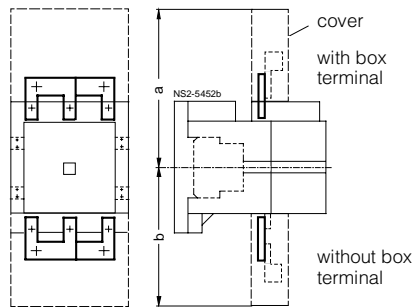
3TX7 560-0E cover plate
for 3TX7 540-0D and 3TX7 570-0D links for paralleling
for 3TF53 to 3TF57 and 3TK52 to 3TK56 contactors



3TX7 680-0E cover plate
for 3TX7 680-0D link for paralleling for 3TF68 contactor



3TX7 460-0B to 3TX7 520-0B links for paralleling, 3-pole, with terminal
for 3TF50, 3TF52 and 3TK50 contactors



Type	a	b
3TX7 500-0B	175	150
3TX7 520-0B	175	150

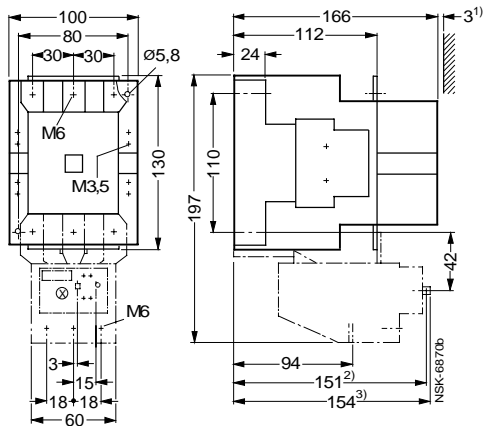
The links for paralleling can be reduced by one pole.

1) Rupture joint.

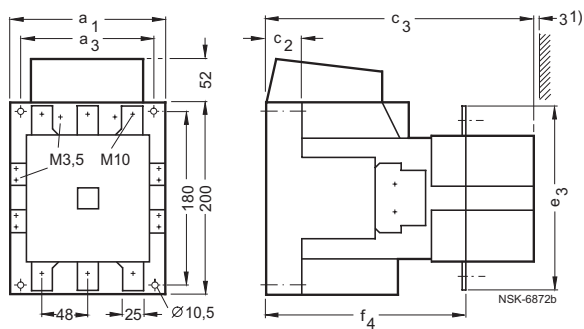
DC operation

Size 4 3TB48

with or without 3UA58 or 3UW17 overload relay

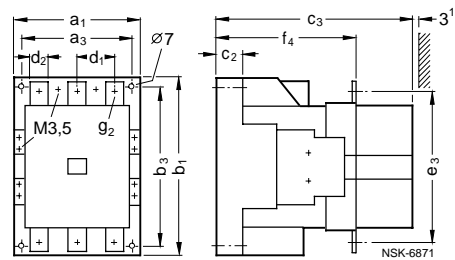


Sizes 10 and 12 3TB54 and 3TB56



Type	a ₁	a ₃	c ₂	c ₃	e ₃	f ₄
3TB54	145	120	30.5	264	168	188
3TB56	160	130	39	282	178	200

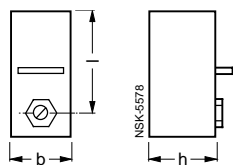
Sizes 6 and 8 3TB50 and 3TB52



Type	a ₁	a ₃	b ₁	b ₃	c ₂	c ₃	d ₁	d ₂	e ₃	f ₄	g ₂
3TB50	120	100	150	130	23	198	37	15	133	137.5	M6
3TB52	135	110	180	160	28	217	42	20	154	147	M8

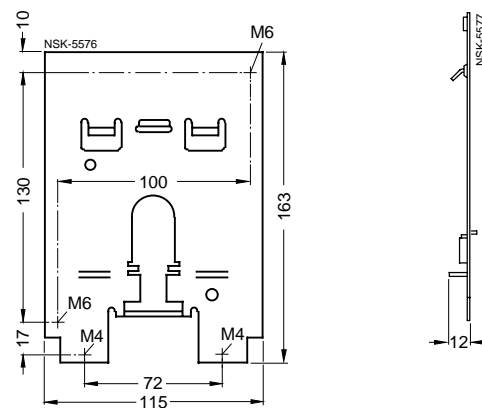
Accessories

3TX6...6-3B terminal covers



For contactor size	Type	b	h	l
4	3TB48	27	33	58
6	3TB50	27	33	58
8	3TB52	34	44	75
10 to 12	3TB54 to 3TB56	38	56	95

3TX6 501-0A baseplate for 3TB50 contactor



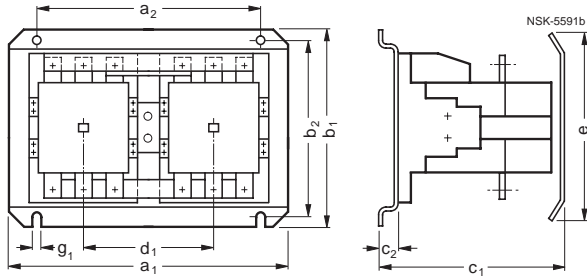
1) Minimum clearance from insulated components
3 mm.
Minimum clearance from earthed components
10 mm.

2) Dimension for the RESET button.
3) Dimension for the TEST OFF button.

3TD, 3TE Contactor Assemblies

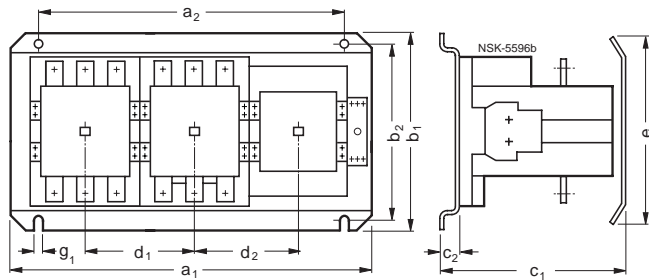
Dimensions

Sizes 6 to 14 3TD50 to 3TD68



Size	Type	a_1	a_2	b_1	b_2	c_1	c_2	d_1	e	g_1
6	3TD50	300	240	210	185	183	18	147	260	9 (M8)
8	3TD52	330	270	240	215	218	18	162	315	9 (M8)
10	3TD54	350	290	265	240	234	21	172	375	11 (M10)
12	3TD56	380	310	265	240	258	21	187	385	11 (M10)
14	3TD68	520	400	310	280	278	25	257	470	13.5 (M12)

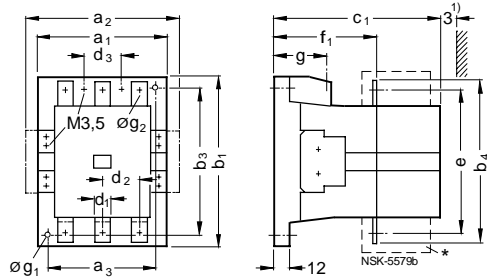
Sizes 6 to 14 3TE50 to 3TE68



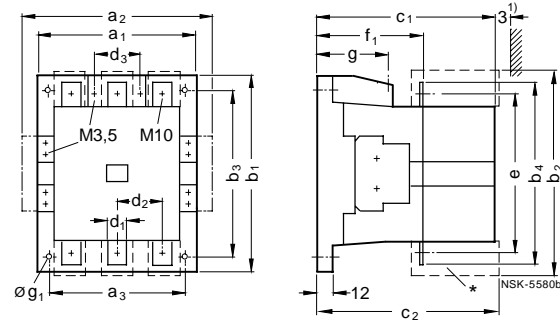
Size	Type	a_1	a_2	b_1	b_2	c_1	c_2	d_1	d_2	e	g_1
6	3TE50	400	340	210	185	183	18	121	111	260	9 (M8)
8	3TE52	435	365	240	215	218	18	136	128.5	315	9 (M8)
10	3TE54	470	400	265	240	234	21	146	141	375	11 (M10)
12	3TE56	510	430	265	240	258	21	161	153.5	385	11 (M10)
14	3TE68	665	550	325	295	278	25	231	196	470	13.5 (M12)

AC operation

**Size 6
3TK50**
with screw connections



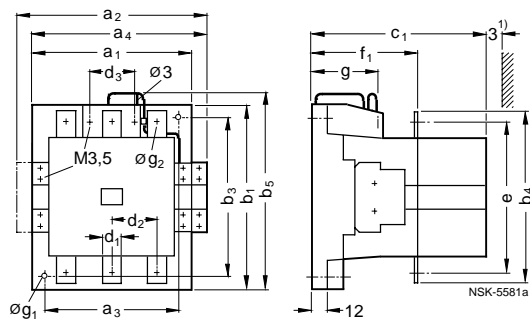
**Sizes 8 to 12
3TK52 to 3TK56**
with screw connections



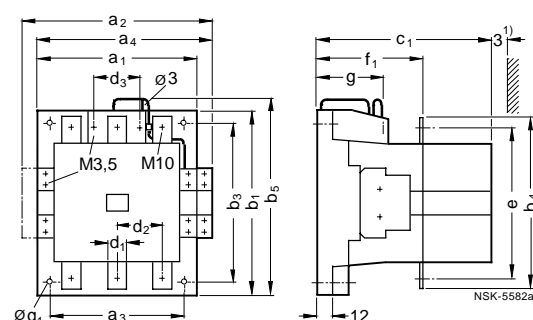
Size	Type	a ₁	a ₂	a ₃	b ₁	b ₂	b ₃	b ₄	c ₁	c ₂	d ₁	d ₂	d ₃	e	f ₁	g	∅ g ₁	∅ g ₂
6	3TK50	120	143	100	150	–	130	159	154	–	20	42	37	139	93	45	6.3	9 (M8)
8	3TK52	135	158	110	180	214	160	184	188	201	25	48	42	159	115	48	7	11 (M10)
10	3TK54	145	168	120	200	222	180	193	201	213	25	48	48	168	132	58	9	11 (M10)
12	3TK56	160	183	130	200	240	180	212	225	227	30	52	48	182	150	65	9	11 (M10)

DC operation - DC economy circuit

**Size 6
3TK50**
with screw connections



**Sizes 8 to 12
3TK52 to 3TK56**
with screw connections



Size	Type	a ₁	a ₂	a ₃	a ₄	b ₁	b ₃	b ₄	b ₅	c ₁	d ₁	d ₂	d ₃	e	f ₁	g	∅ g ₁	∅ g ₂
6	3TK50	120	143	100	132	150	130	159	160	154	20	42	37	139	93	45	6.3	9 (M8)
8	3TK52	135	158	110	147	180	160	184	190	188	25	48	42	159	115	48	7	11 (M10)
10	3TK54	145	168	120	157	200	180	193	210	201	25	48	48	168	132	58	9	11 (M10)
12	3TK56	160	183	130	172	200	180	212	210	225	30	52	48	182	150	65	9	11 (M10)

For dimensions of accessories, see pages 3/189 to 3/192.

For 3 TK50 to 3TK56:
* With box terminals for laminated copper bars (accessory)
1) Minimum clearance from insulated components 3 mm.
Minimum clearance from earthed components 10 mm.

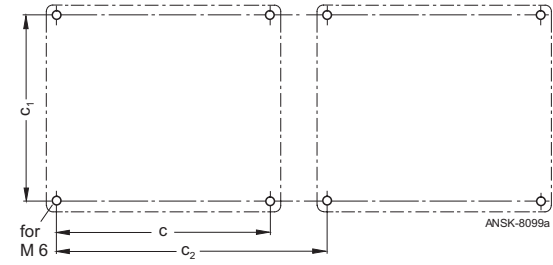
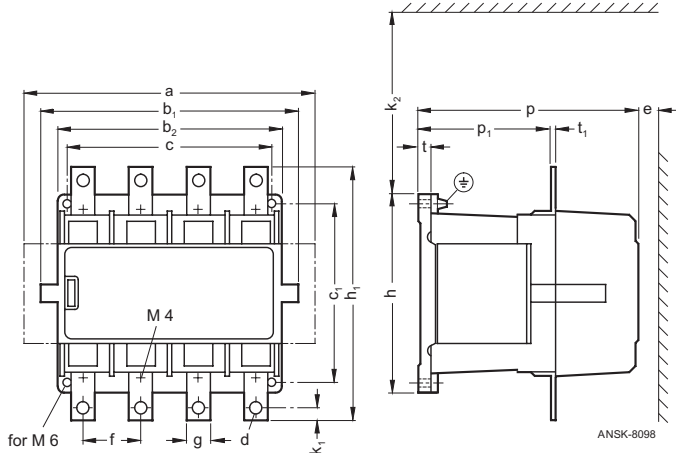
3TK10 to 3TK17 Contactors

Dimensions

3TK10 to 3TK17

The scope of supply includes screws and rubber buffers.

⊕ M10 earthing screw for 3TK14 to 3TK17



Contactor Type	a	b ₁	b ₂	c	c ₁	c ₂ ¹⁾	c ₂ ²⁾	d ³⁾	e min.	f	g	h	h ₁	k ₁	k ₂ ⁴⁾	p	p ₁	t	t ₁
3TK10	186	165	136	120	140	166	187	6.6	40	41	15	156	156	7.5	134	154.5	102.3	10	4
3TK11	186	165	136	120	140	168	187	11	40	42	20	156	172	10	134	154.5	102.3	10	4
3TK12	225	201	176	160	140	202	226	11	15	45	20	156	198	10	134	172	106.7	10	5
3TK13	225	201	176	160	140	202	226	11	15	45	20	156	198	10	134	172	106.7	10	5
3TK14	266	244	244	220	200	271	293	11	40	67	25	223	272	12.5	-	225.5	139.5	23 ⁵⁾	6
3TK15	266	244	244	220	200	271	293	11	40	67	25	223	273	12.5	-	225.5	139.5	23 ⁵⁾	6
3TK17	266	244	244	220	200	271	293	11	40	67	25	223	273	12.5	-	225.5	139.5	23 ⁵⁾	6

- 1) Clearance when 2 contactors, each with one auxiliary switch block opposite, are mounted.
- 2) Clearance when 2 contactors, each with two auxiliary switch blocks opposite, are mounted.

- 3) Nuts, bolts, screws and washers are supplied.
- 4) Minimum clearance for removing the withdrawable coil.
- 5) Damping elements are supplied.

Accessories for 3TK1 Contactors

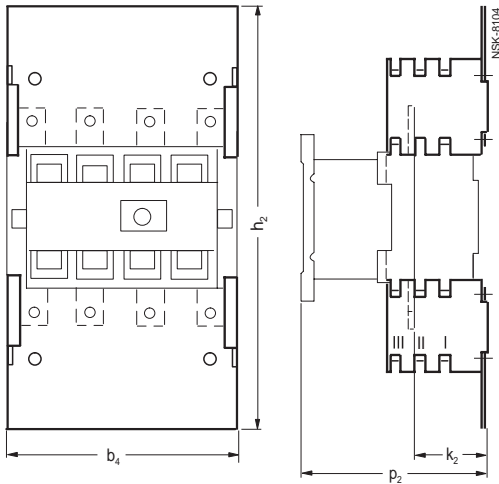
1

2

3

Dimensions

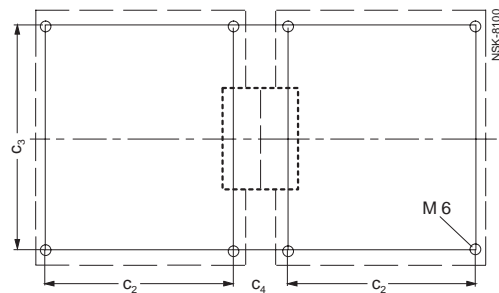
3TK19 4. terminal cover



Contactor Type	Terminal cover	h ₂	p ₂ for			k ₂ for			b ₄
			I	II	III	I	II	III	
3TK10, 3TK11	3TK19 40-0A	372	153	178	203	47	72	97	168
3TK12, 3TK13	3TK19 42-0A	399	158	183	208	47	72	97	202
3TK14, 3TK15	3TK19 44-0A	464	193	218	243	47	72	97	268
3TK17	3TK19 46-0A	464	193	218	243	47	72	97	268

3TK19 20 and 3TK19 22 locking devices

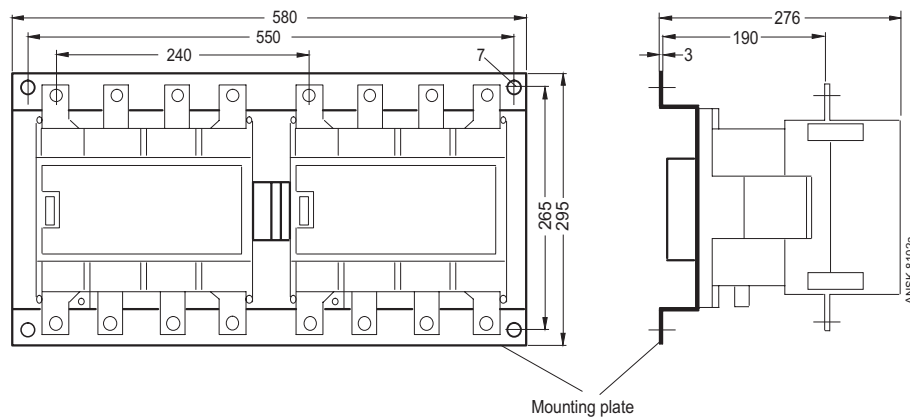
for mechanical locking of two identical 3TK10 to 3TK13 contactors mounted side by side on the mounting plate



Contactor Type	Locking device	c ₂	c ₃	c ₄
3TK10, 3TK11	3TK19 20-0A	120	140	35
3TK12, 3TK13	3TK19 22-0A	160	140	36

3TK19 24 locking device

for mechanical locking of two identical 3TK14, 3TK15 or 3TK17 contactors mounted side by side on the mounting plate

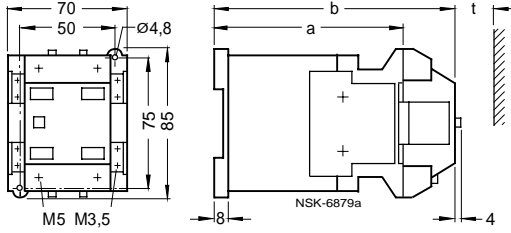


3TC4 and 3TC5 DC Contactors

Dimensions

AC and DC operation

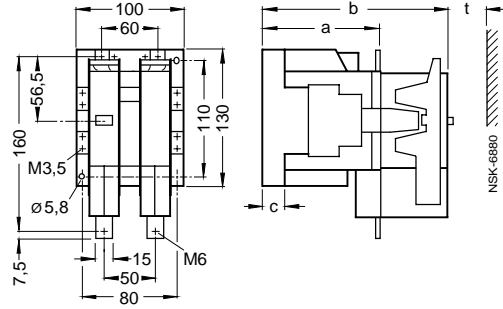
Size 2 3TC44



t = min. clearance from insulated compts.: 15 mm (600 V and 750 V)
from earthed compts.: 30 mm (600 V and 750 V)

	a	b
DC operation	109	141
AC operation	68	100

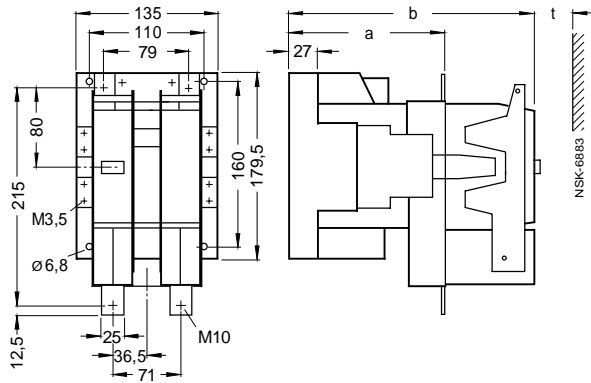
Size 4 3TC48



t = min. clearance from insulated compts.: 15 mm (600 V), 20 mm (750 V)
from earthed compts.: 35 mm (600 V), 55 mm (750 V)

	a	b	c
DC operation	112	180	21.5
AC operation	86	154	23.5

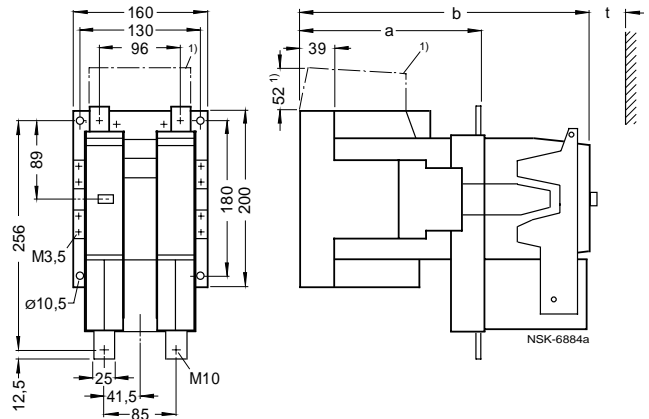
Size 8 3TC52



t = min. clearance from insulated compts.: 20 mm (600 V and 750 V)
from earthed compts.: 70 mm (600 V and 750 V)

	a	b
DC operation	147	232
AC operation	115	200

Size 12 3TC56



t = min. clearance from insulated compts.: 25 mm (600 V and 750 V)
from earthed compts.: 80 mm (600 V), 100 mm (750 V)

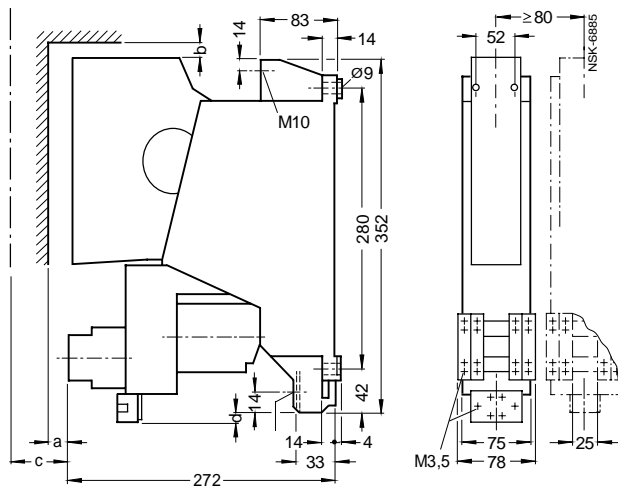
	a	b
DC operation	200	310
AC operation	141	251

1) DC operation only.

Dimensions

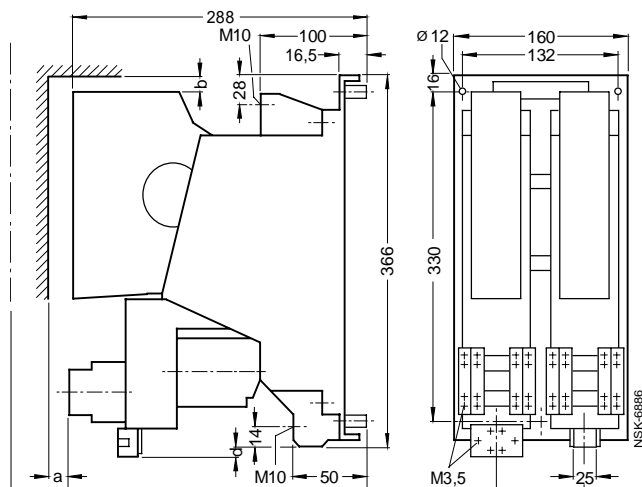
AC and DC operation

Size 12
3TC74



Dimension	Minimum clearance from insulated components	Minimum clearance from earthed components
a	≥ 20	≥ 50
b	≥ 10	≥ 25
c	≥ 180 (clearance for removing arc chute)	

Size 12
3TC78



Dimension	Minimum clearance from insulated components	Minimum clearance from earthed components
a	≥ 20	≥ 50
b	≥ 10	≥ 25
c	≥ 180 (clearance for removing arc chute)	
d	Coil terminal 3TC78 14-0E: 8 mm 3TC78 14-1C: 16 mm	

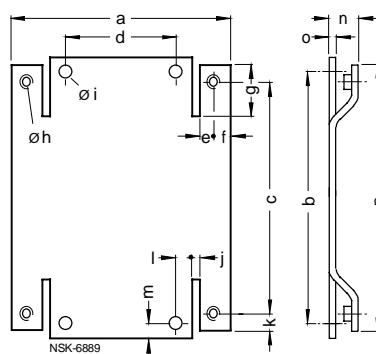
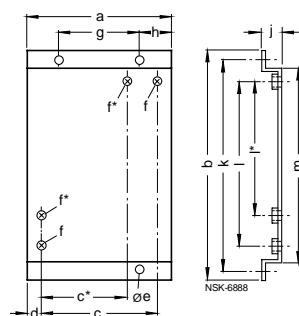
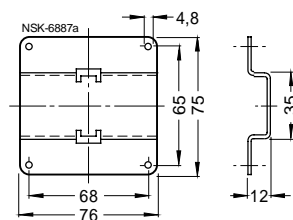
Accessories

Adapter plates

for 3TC44 contactor, size 2

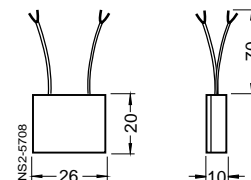
for 3TC48 contactor, size 4

for 3TC52 contactor, size 8



Contactor size	Adapter plate Order No.	Dim.															
		a	b	c	c*	d	Øe	f	f*	g	h	j	k	l	l*	m	
4	3TX6 486-0A	100	150	80	-	10	6	M5	-	57	24	11	138	110	-	127	
	3TX6 506-0A	125	190	100	80	12,5	7	M6	M5	70	26,5	13	175	130	110	154	
Contactor size	Adapter plate Order No.	Dim.															
		a	b	c	d	e	f	g	h	Øi	j	k	l	m	n	o	p
8	3TX6 526-0A	135	165	160	70	7,5	12,5	30	M6	8,2	4	7,5	8,5	10	15	3	175

3TX2 746-2 varistors for 3TC47 and 3TC78 contactors



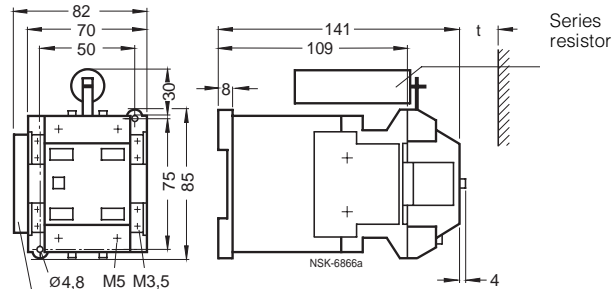
Contactors with Extended Tolerance

0.7 to $1.25 \times U_s$

Dimensions

DC operation

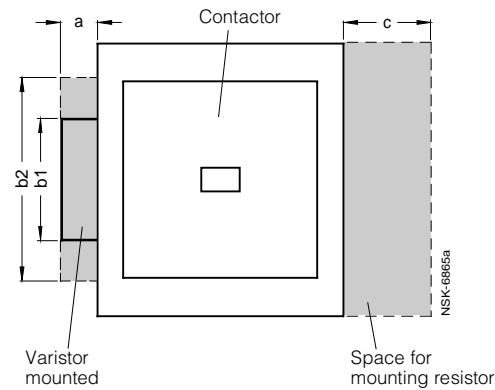
Size 2
3TC44 17-0L



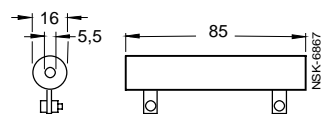
Varistor

t = min. clearance from insulated components: 15 mm (600 V and 750 V)
from earthed components: 30 mm (600 V and 750 V)

Additional space requirements for mounting resistors and varistors
with 3TB48 to 3TB56, 3TC48 to 3TC56, 3TF46, 3TF47 contactors



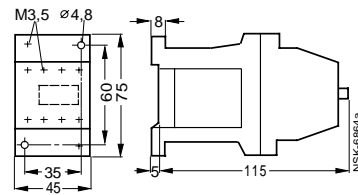
Separately mounted series resistor



For dimensions of 3TH20, 3TH40 and 3TH42 contactor relays, see Part 6.
For dimensions of 3TF20 contactors, see page 3/185.
For dimensions of 3TF40 to 3TF45 contactors, see page 3/188.

3TH4 040-3B reversing contactor

required for 3TB52, 3TB54, 3TB56, 3TC52, 3TC56 contactors



For contactor	Additional space requirements for series resistor for varistor			
	c	a	b ₁	b ₂ *)
3TB48, 3TB50	30	13	70	110
3TB52, 3TB54, 3TB56	-	15	82	120
3TC48	30	13	70	110
3TC52, 3TC56	-	15	82	120
3TF46, 3TF47	30	-	-	-

*) Terminal compartment

For contactor	No. of series resistors
3TB52, 3TC52	1
3TB54, 3TB56	2
3TC56	2

1) Connection dimensions for optional screw mounting.
2) For snapping onto 35 mm standard mounting rail.

3RF1 Semiconductor Contactors

Dimensions

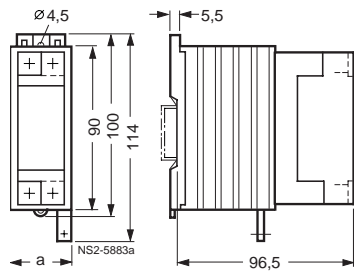
1

2

3

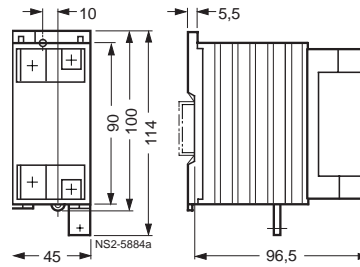
3RF12 and 3RF14 semiconductor contactors, single-pole

3RF12 11-0F...,
3RF12 11-0H...

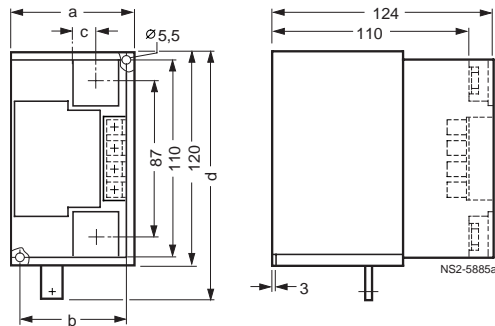


Type	a
3RF12 11-0F	25
3RF12 11-0H	35

3RF12 11-0J...,
3RF12 11-0L...

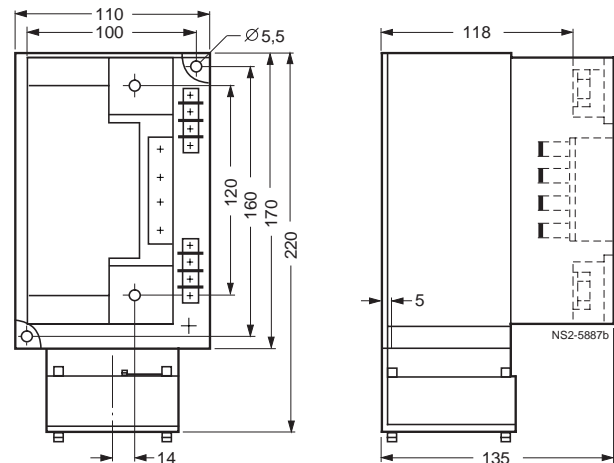


3RF12 11-N..., 3RF12 11-R...,
3RF14 11-N..., 3RF14 11-R...



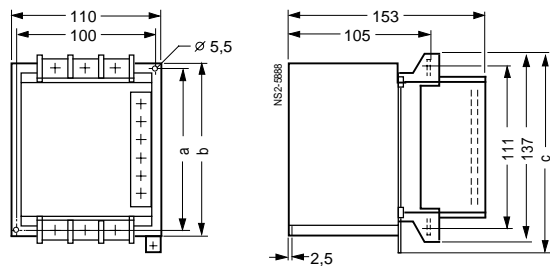
Type	a	b	c	d
3RF12 11-N...	70	60	13	139
3RF14 11-N...				
3RF12 11-R...	110	100	15	-
3RF14 11-R...				

3RF14 11-0VC04



3RF14 semiconductor contactors, 3-pole

3RF14...-J...,
3RF14...-M...



Type	a	b	c
3RF14 3.-J...	110	120	148
3RF14 3.-M...	160	170	-

3RF14...-Q...

