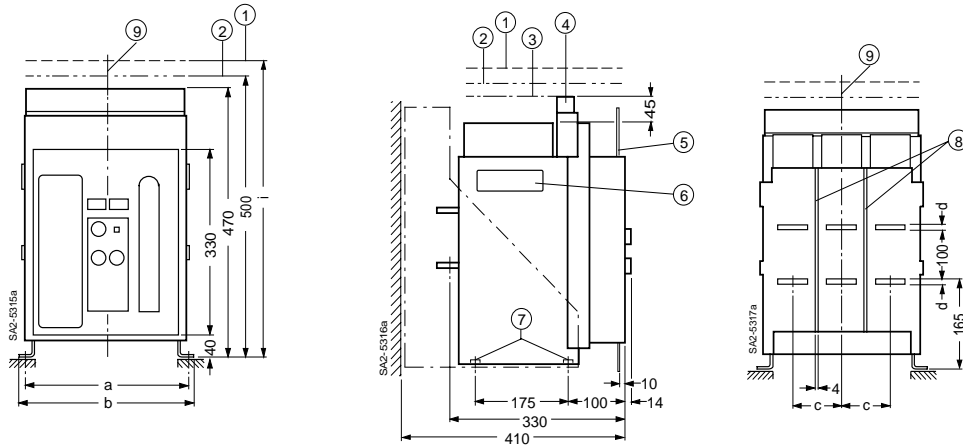


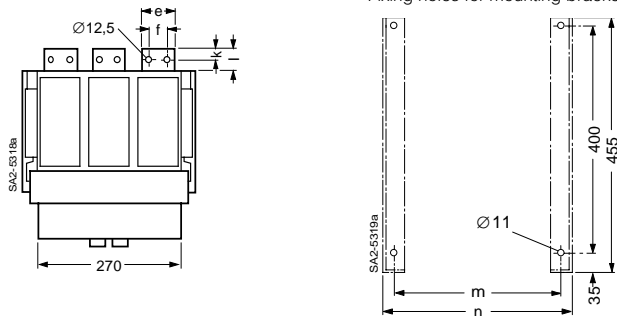
3WN6 Circuit-Breakers

3WN6 circuit-breakers fixed-mounted, 3-pole

Horizontal connection



Fixing holes for mounting bracket

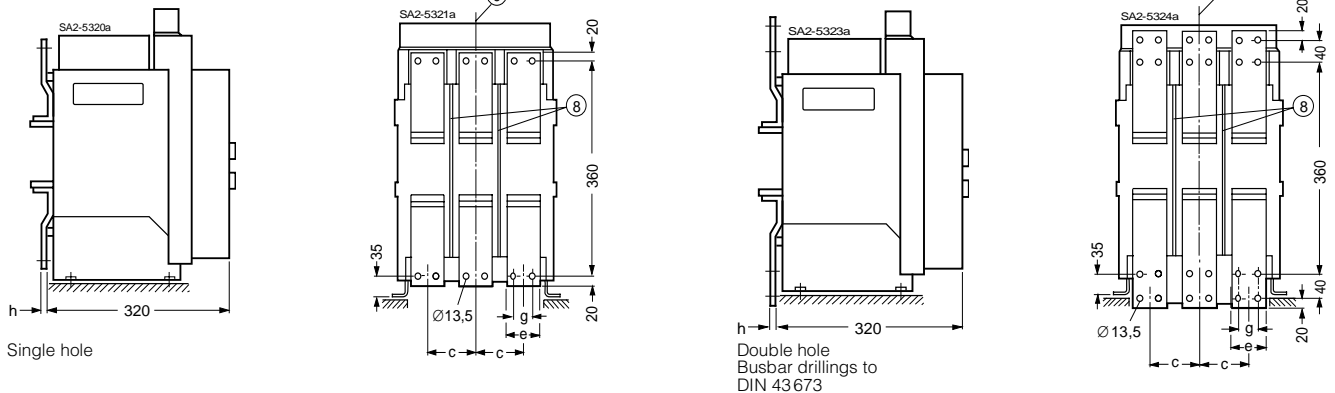


- ① Space for removal of arc chamber
- ② Clearance for auxiliary plug
- ③ Arc venting space
- ④ Auxiliary plug
- ⑤ Cubicle door
- ⑥ Grip recess
- ⑦ M 8 nut
- ⑧ Slots (4 mm deep) for user-fitted phase barriers
- ⑨ Centre-line of circuit-breaker

No additional safety clearance is required to neighboring earthed parts above the circuit-breaker (shown at ③ for fixed-mounted breakers).

Clearance between connection point and busbar support must be max. 250 mm.

Front connection



Single hole

Double hole
Busbar drillings to
DIN 43673

Rated current A	a	b	c	d	e	f	g	h	i	k	l	m	n
630 to 1000	300	320	90	8	60	30	—	8	530	18	40	300	338
1250 to 1600	300	320	90	15	60	30	—	20	530	18	40	300	338
2000	400	420	120	15	80	40	40	20	560	22	44	400	438
2500 to 3200	400	420	120	30	80	40	40	20	560	22	44	400	438

Main conductor connection

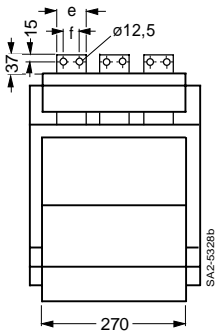
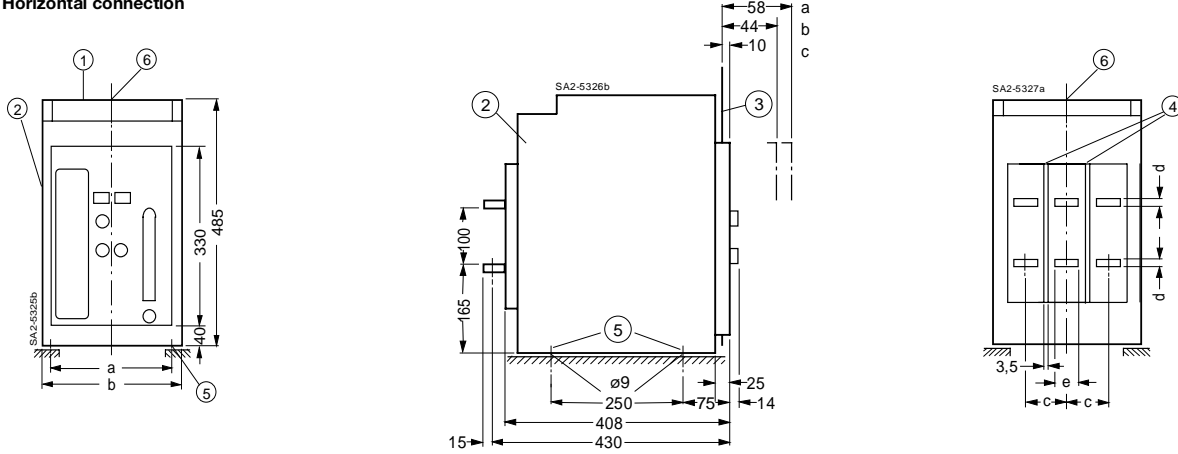
Connection screws with tension washers (internal diameter= 12 mm to DIN 6769-Fst)	M 12
Recommended tightening torque	Nm 70
Required tensile strength of screws	8.8 to DIN 267

Up to a **rated operational voltage of 415 V AC**, busbars running vertically (e.g. with connections accessible from the front) do not need to be shrouded if the busbar system is not placed above the circuit-breaker.

On the other hand, for **voltages greater than 415 V AC** or when the feed is from the top, bare live cables and busbars arranged above the circuit-breaker must be insulated to prevent flashover using a busbar shroud or the arc chamber cover (accessory).

Additional electrical equipment directly above the circuit-breaker (if an arc chamber cover is not used) or at the side of the breaker should be protected by a cover. Any additional phase barriers or covers must be fitted so as not to affect the dissipation of heat from the circuit-breaker.

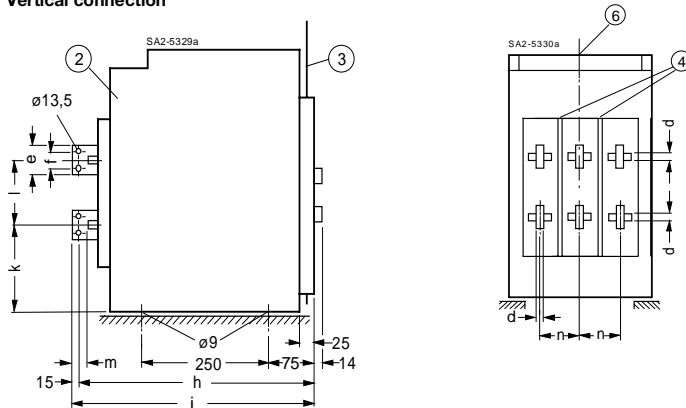
Horizontal connection



- a Isolated position
- b Test position
- c Service position
- ① Auxiliary plug system
- ② Guide frame
- ③ Cubicle door
- ④ Slots (6 mm deep) for user-fitted phase barriers
- ⑤ Drillings for fixing the guide frame
- ⑥ Centre line of circuit-breaker

See page 11/56 for safety clearances.

Vertical connection

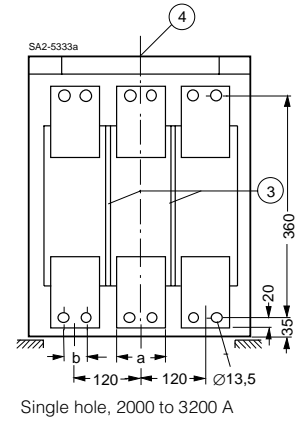
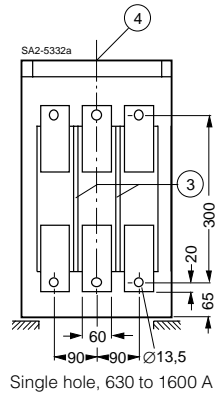
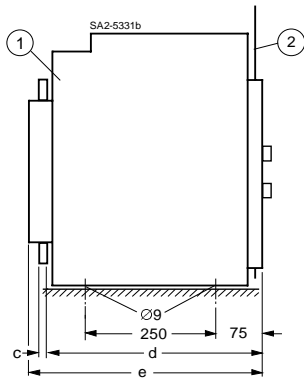


Rated current A	a	b	c	d	e	f	h	i	k	l	m	n
630 to 1000	280	320	90	8	60	30	455	470	157,5	115	37	90
1250 to 1600	280	320	90	15	60	30	455	470	157,5	115	37	90
2000	380	420	120	15	80	40	465	480	157,5	115	40	140
2500 to 3200	380	420	120	30	100	50	465	480	150	130	40	140

3WN6 Circuit-Breakers

3WN6 circuit-breakers withdrawable version, 3-pole

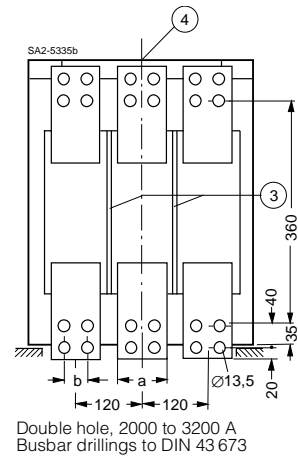
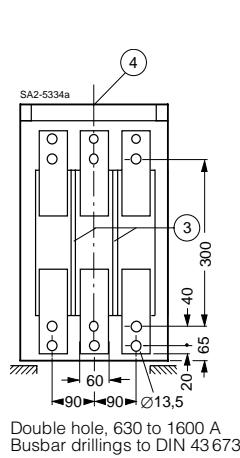
Front connection



Rated current A	a	b	c	d	e
630 to 1000	60	—	8	390	408
1250 to 1600	60	—	15	390	408
2000	80	40	20	420	445
2500 to 3200	100	50	20	420	445

- ① Guide frame
- ② Cubicle door
- ③ Slot (6 mm deep, 3.5 mm wide)
for user-fitted phase barriers
- ④ Centre line of circuit-breaker

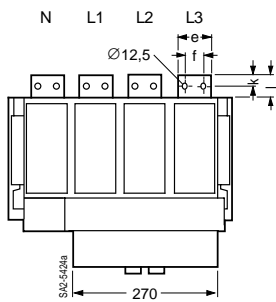
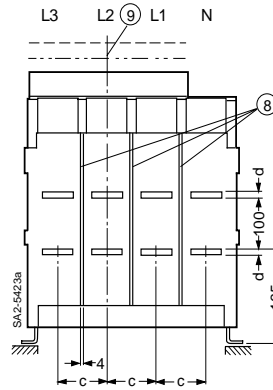
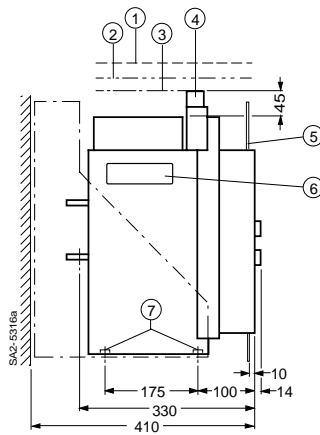
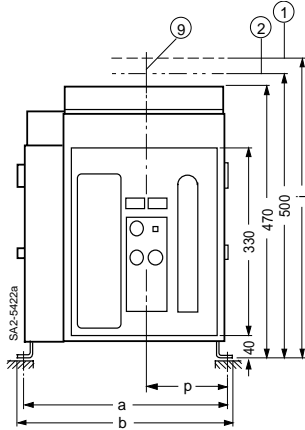
See page 11/56 for safety clearances.



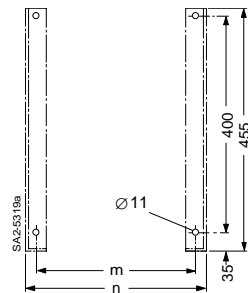
3WN6 Circuit-Breakers

3WN6 circuit-breakers
fixed-mounted, 4-pole

Horizontal connection

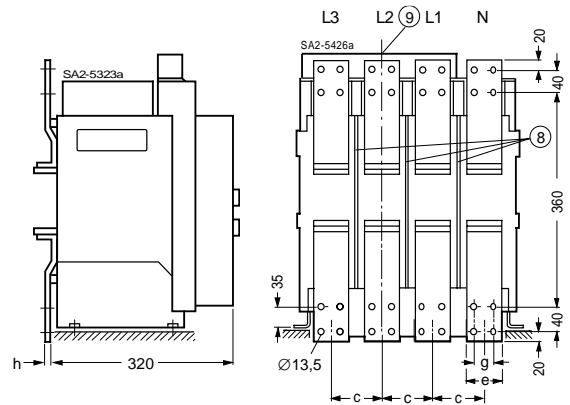
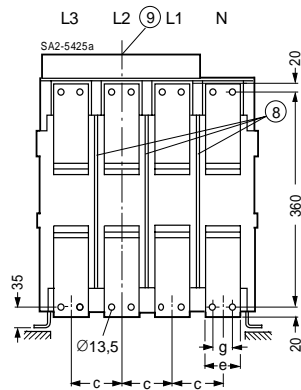
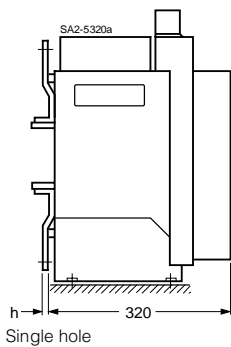


Fixing holes for mounting bracket



- ① Space for removal of arc chamber
 - ② Clearance for auxiliary plug
 - ③ Arc venting space
 - ④ Auxiliary plug
 - ⑤ Cubicle door
 - ⑥ Grip recess
 - ⑦ M 8 nut
 - ⑧ Slots (4 mm deep) for user-fitted phase barriers
 - ⑨ Centre line of control panel
- See page 11/56 for safety clearances.

Front connection

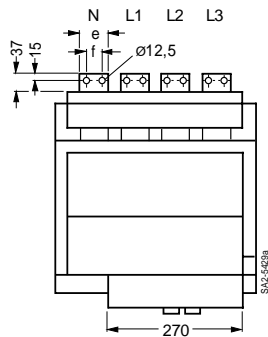
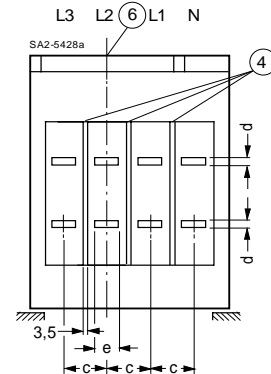
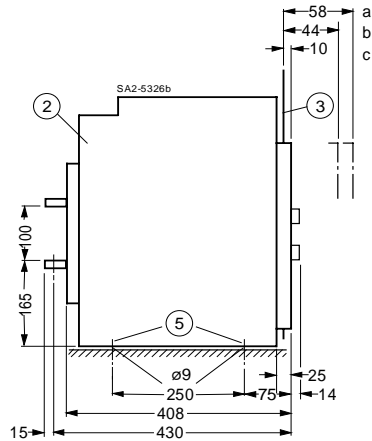
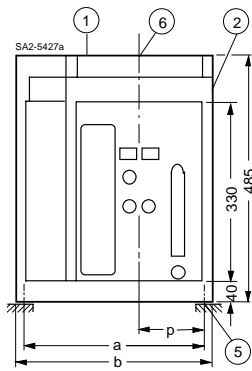


Rated current A	a	b	c	d	e	f	g	h	i	k	l	m	n	p
630 to 1000	390	410	90	8	60	30	-	8	530	18	40	390	428	150
1250 to 1600	390	410	90	15	60	30	-	15	530	18	40	390	428	150
2000	520	540	120	15	80	40	40	20	560	22	44	520	558	200
2500 to 3200	520	540	120	30	80	40	40	20	560	22	44	520	558	200

3WN6 Circuit-Breakers

3WN6 circuit-breakers withdrawable version, 4-pole

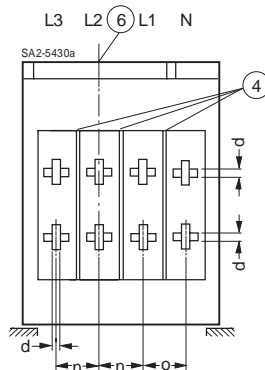
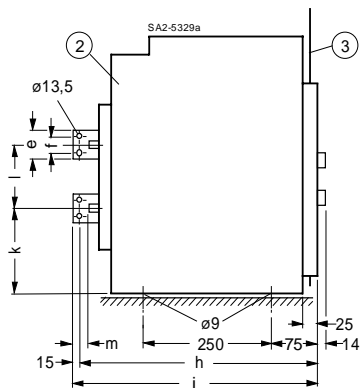
Horizontal connection



- a Isolated position
- b Test position
- c Service position
- ① Auxiliary plug system
- ② Guide frame
- ③ Cubicle door
- ④ Slots (6 mm deep) for user-fitted phase barriers
- ⑤ Drillings for fixing the guide frame
- ⑥ Centre line of control panel

See page 11/56 for safety clearances.

Vertical connection

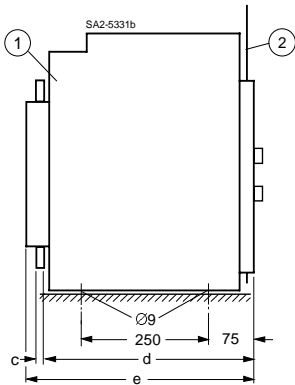


Rated current A	a	b	c	d	e	f	h	i	k	l	m	n	o	p
630 to 1000	370	410	90	8	60	30	455	470	157,5	115	37	90	90	140
1250 to 1600	370	410	90	15	60	30	455	470	157,5	115	37	90	90	140
2000	500	540	120	15	80	40	465	480	157,5	115	40	140	120	190
2500 to 3200	500	540	120	30	100	40	465	480	150	130	40	140	120	190

3WN6 Circuit-Breakers

3WN6 circuit-breakers withdrawable version, 4-pole

Front connection

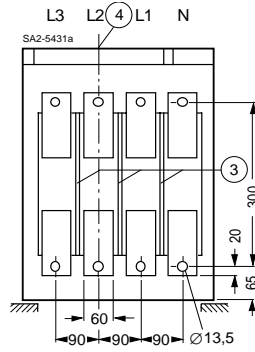


Rated current A	a	b	c	d	e
630 to 1000	60	—	8	390	408
1250 to 1600	60	—	15	390	408
2000	80	40	20	420	445
2500 to 3200	100	50	20	420	445

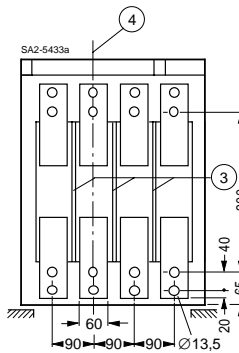
- ① Guide frame
- ② Cubicle door
- ③ Slots (6 mm deep, 3.5 mm wide) for user-fitted phase barriers
- ④ Centre line of control panel

See page 11/56 for safety clearances.

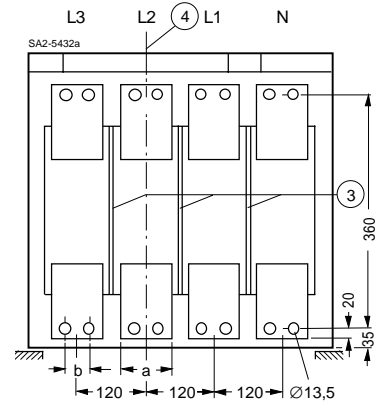
Single hole, 630 to 1600 A



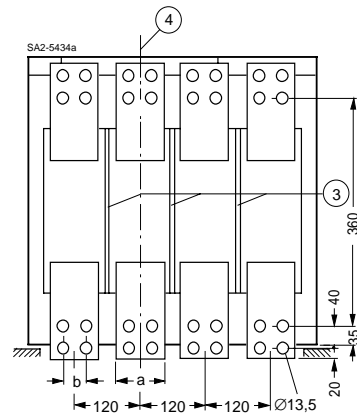
Double hole, 630 to 1600 A
Bus bar drillings to DIN 43 673



Single hole, 2000 to 3200 A

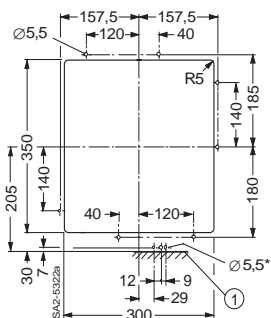


Double hole, 2000 to 3200 A
Busbar drillings to DIN 43 673



3WN6 circuit-breakers, 3- and 4-pole

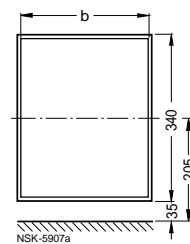
Door cutout for control panel when using a door sealing frame



- ① Mounting surface

Door cutout with edge protection

Cutout size after fitting edge protector



Cutout for fitting the circuit-breaker in a cubicle and with central position of the door.

Panel width	Fixed-mounted b	Withdrawable b
400	275	292
500	275	290
600	275	288

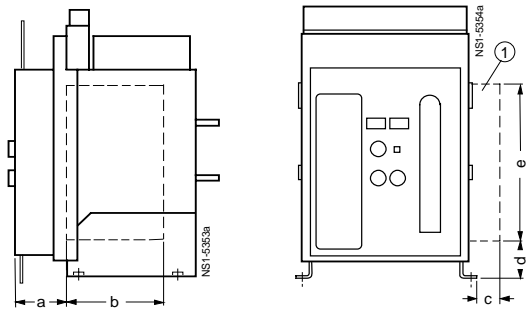
* 3 holes $\varnothing 5.5$ mm only required if door interlocking is used.

3WN6 Circuit-Breakers

Accessories for 3WN6 circuit-breakers, 3 and 4-pole

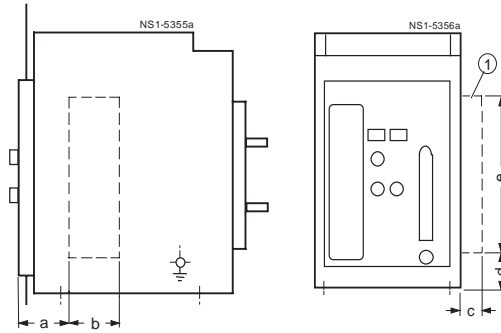
Mechanical cross-interlocking (1)/locking device against closing (2), consisting of lock in the cubicle door and interlock module with Bowden cable

For fixed-mounted circuit-breaker



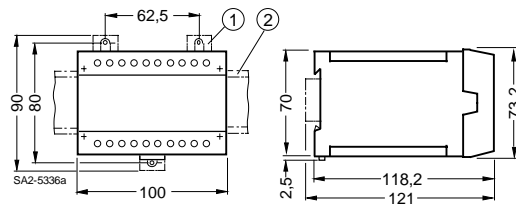
① Space for interlock module (without Bowden cable)

For withdrawable circuit-breaker



Space for	a	b	c	d	e
(1)	90	90	50	65	270
(2)	58	215	10	250	115

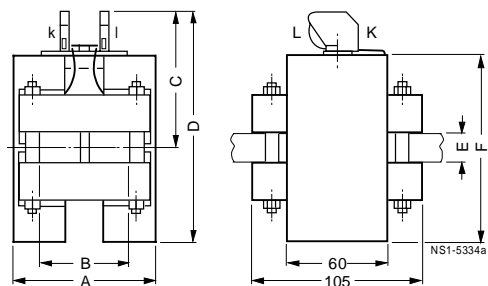
3WX31 56-1J.01 storage device for shunt release and 3WX36 44-8JA00 voltage transformer for measuring module



① Fixing feet
② Standard mounting rail to EN 50 022-35

Current transformer for overload protection in N conductor and earth fault protection

for sizes I and II
3WX36 43-1..00



Current transformer	Current transformer rated primary current I_N	Size	A approx	B	C	D	E	F
3WX36 43-1 .. 00	A							
CA	315	I	92	60	86,5	140	5...15	107
CB	400							
CC	500							
CD	630							
CE	800							
CF	1000							
CG	1250							
CH	1600							
FJ	2000	II	128	80	99	167	5...35	136
FK	2500							
FM	3200							

Locking device for "electrical ON" and "mechanical OFF" button ①

