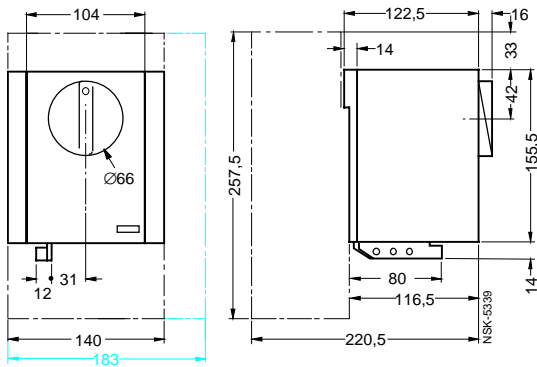


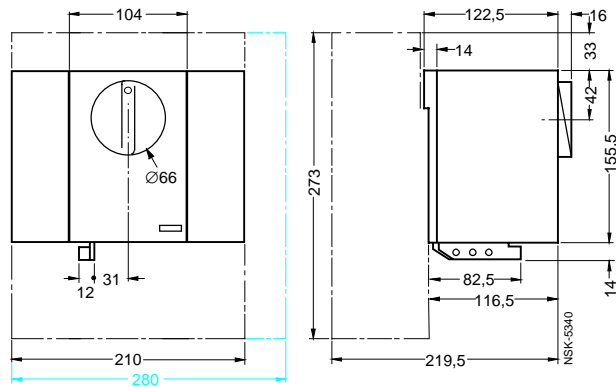
3VF3 to 3VF8 Circuit-Breakers

Accessories for 3VF circuit-breakers, 3- and 4-pole

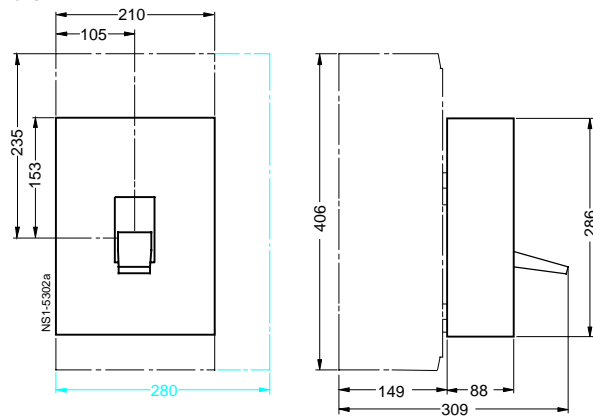
3VF9 523-1...0 motorized operating mechanism and 3VF9 523-1Q...0 motorized operating mechanism suitable for synchronizing for 3VF5



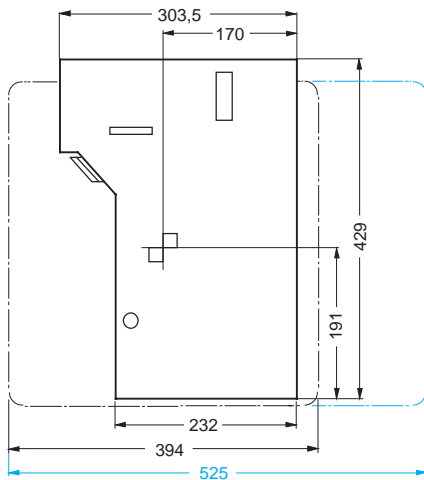
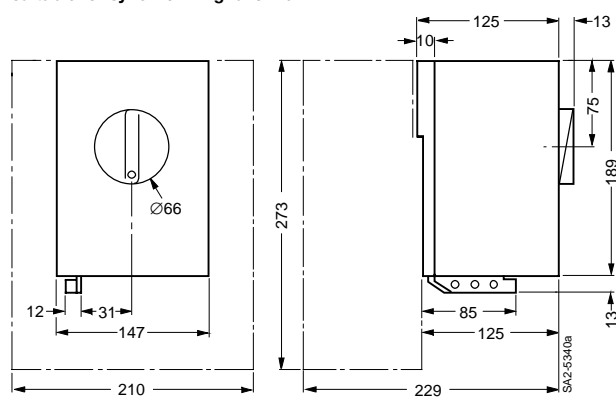
3VF9 623-1...0 motorized operating mechanism for 3VF6



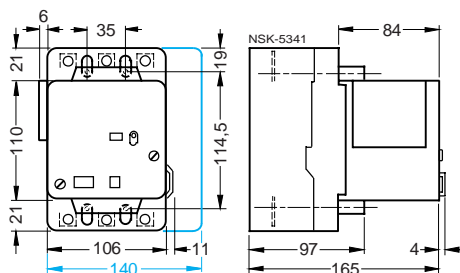
3VF9 723-1N...0 motorized operating mechanism for 3VF7



3VF9 623-1Q...0 motorized operating mechanism suitable for synchronizing for 3VF6



3VF9 823-1...0 motorized operating mechanism for 3VF8

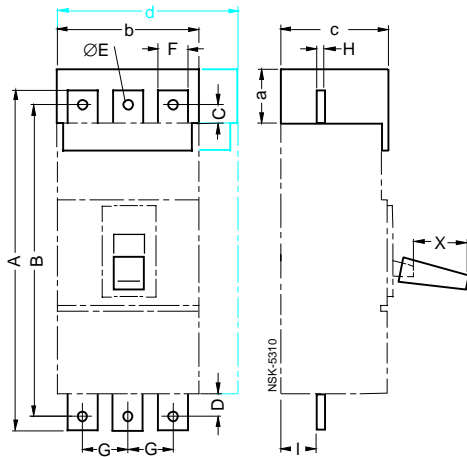


3VF9 323-1S.30 solenoid operating mechanism for 3VF3

4-pole version

3VF3 to 3VF8 Circuit-Breakers

Accessories for 3VF circuit-breakers, 3- and 4-pole



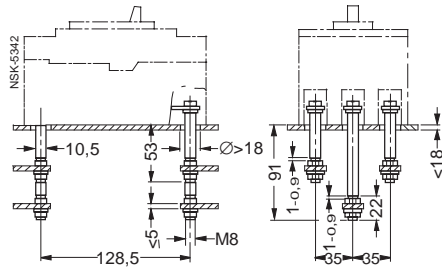
Busbar connection pieces, terminal covers and toggle lever extensions
for 3VF3 to 3VF6

Type	Busbar connection pieces									Terminal covers			
	A	B	C	D	E	F	G	H	I	a	b	c	d
3VF3	207.5	187.5	17.5	17.4	9	20	35	3	33	40	103	81	138
3VF4	321	296	22.5	19.5	11	25	35	4	33	45	103	97	138
3VF5	326	296	17.5	21	11	30	44	5	33	50	136	97	180
3VF6*	380.5	340.5	35	32.5	13.5	40	70	8	33	70	208	97	279

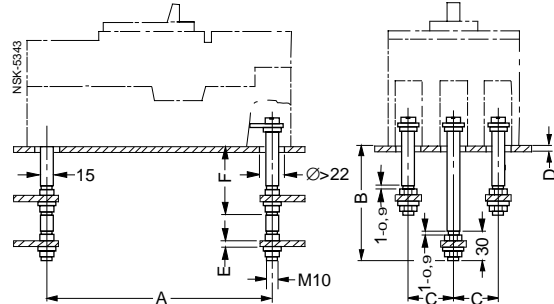
* Busbar connection pieces included in scope of supply of circuit-breaker.

Toggle lever extension
Dim. X in "OFF" position: 3VF4=40 mm
3VF5=40 mm
3VF6=90 mm

Rear-mounting terminal studs
for 3VF3

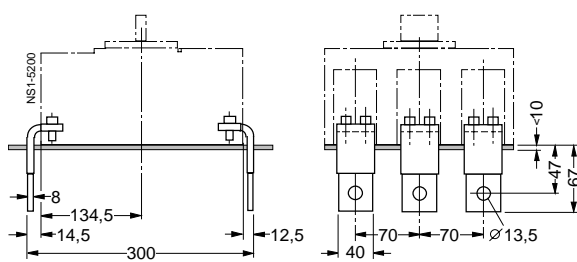


Rear-mounting terminal studs
for 3VF4, 3VF5

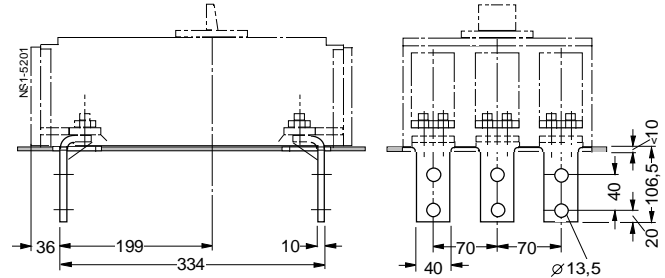


Type	A	B	C	D	E	F
3VF4	212	115	35	<19	≤ 6	62
3VF5	225.5	112	44	<15	≤ 8	59

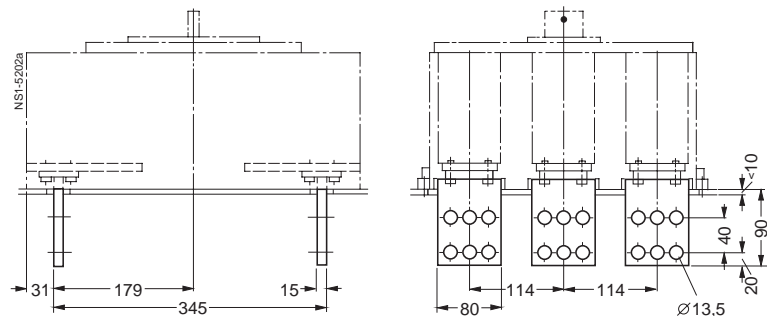
Rear connection bars
for 3VF6



Rear connection bars
for 3VF7



Rear connection bars
for 3VF8 to 2000 A, connection bars for 2500 A (3VF84) must only be mounted vertically

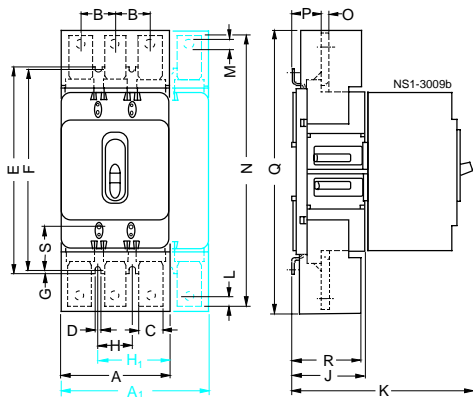


4-pole version

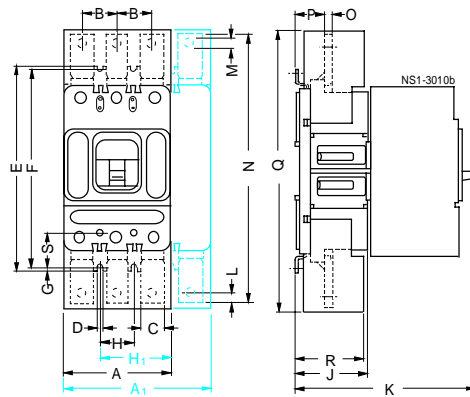
3VF3 to 3VF8 Circuit-Breakers

Accessories for 3VF circuit-breakers, 3- and 4-pole

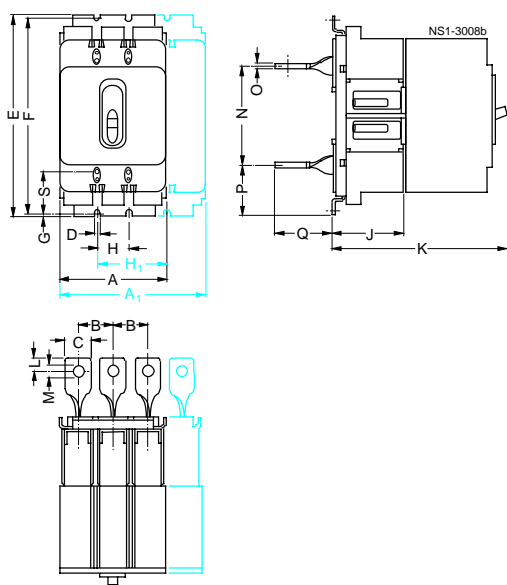
Plug-in socket for front connection
for 3VF3



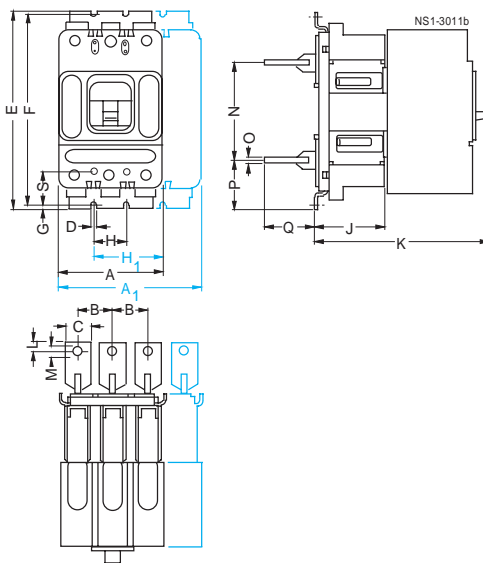
Plug-in socket for front connection
for 3VF4 to 3VF6



Plug-in socket for rear connection
for 3VF3

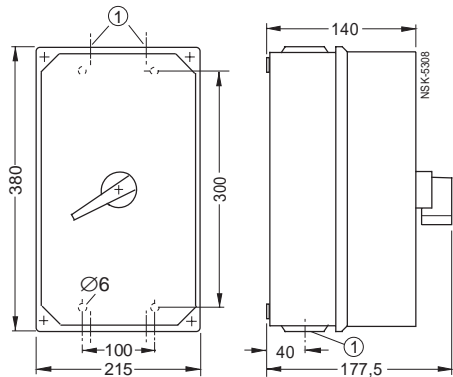


Plug-in socket for rear connection
for 3VF4 to 3VF6



	Type	A	A ₁	B	C	D	E	F	G	H	H ₁	J	K	L	M	N	O	P	Q	R	S
Plug-in socket for front connection	3VF3	105	140	35	25	6	197.5	190	3.8	35	70	78	180.5	12.5	∅ 11	266.5	6	37.5	417.5	73.5	38
	3VF4	105	140	35	25	6	281	270	5.5	35	70	78	202	12.5	∅ 11	350	6	37.5	501	73.5	32.5
	3VF5	140	183	44	30	6	294.5	285	4.8	44	88	78	204.5	15	∅ 11	363.5	8	35.5	538.5	73.5	35
	3VF6	210	280	70	40	6	312.5	303	4.8	70	140	78	216.5	20	∅ 13.5	401.5	8	35.5	566.5	78.5	31
Plug-in socket for rear connection	3VF3	105	140	35	25	6	197.5	190	3.8	35	70	78	180.5	12.5	∅ 11	98.5	5	49.5	49	—	38
	3VF4	105	140	35	25	6	281	270	5.5	35	70	78	202	12.5	∅ 11	182	5	49.5	49	—	32.5
	3VF5	140	183	44	30	6	294.5	285	4.8	44	88	78	204.5	15	∅ 11	195.5	8	49.5	49	—	35
	3VF6	210	280	70	40	6	312.5	303	4.8	70	140	78	216.5	20	∅ 13.5	213.5	8	49.5	59	—	31

3VF9 324-1DA00 sheet-steel enclosure
for 3VF3



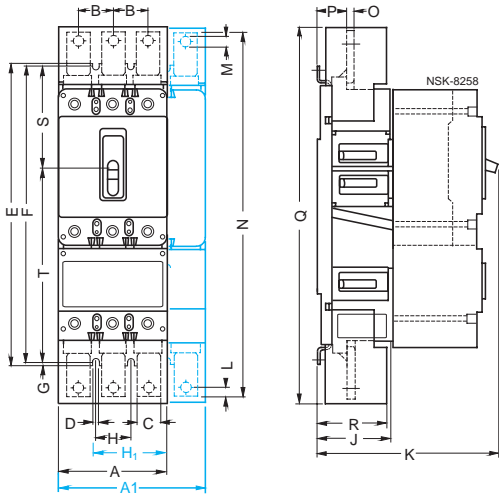
① Knockout for Pg 36 cable gland.

4-pole version

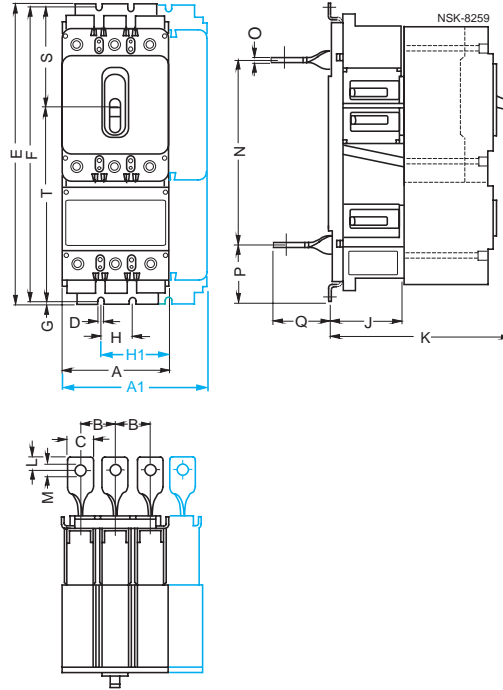
3VF3 to 3VF8 Circuit-Breakers

Accessories for 3VF circuit-breakers, 3- and 4-pole

Plug-in socket for front connection for circuit-breaker with DI module for 3VF3, 3VF4 and 3VF5



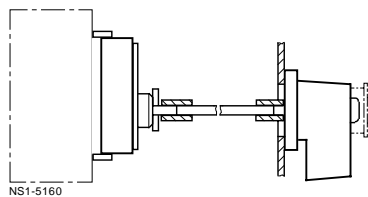
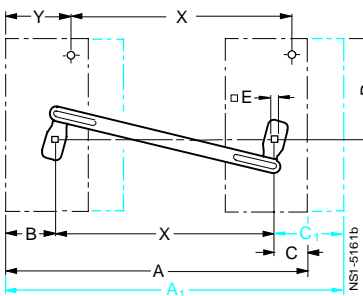
Plug-in socket for rear connection for circuit-breaker with DI module for 3VF3, 3VF4 and 3VF5



	Type	A	A ₁	B	C	D	E	F	G	H	H ₁	J	K	L	M	N	O	P	Q	R	S	T
Plug-in socket for front connection	3VF3	105	140	35	25	5.5	283	269	7	35	70	78	180.5	12.5	11	352	6	37.5	503	73.5	92.5	176.5
	3VF4	140	184	35	25	5.5	375	358	8.5	44	88	78	202	12.5	11	444	6	37.5	595	73.5	141	217
	3VF5	140	184	44	30	5.5	388	372	8	44	88	78	204.5	15	11	457	8	35.5	632	73.5	144.3	227.5
Plug-in socket for rear connection	3VF3	105	140	35	25	5.5	283	269	7	35	70	78	180.5	12.5	11	184	5	49.5	49	-	92.5	176.5
	3VF4	140	184	35	25	5.5	375	358	8.5	44	88	78	202	12.5	11	276	5	49.5	49	-	141	217
	3VF5	140	184	44	30	5.5	388	372	8	44	88	78	204.5	15	11	289	8	49.5	49	-	144.3	227.5

Cross-interlocking for two circuit-breakers with rotary drive for 3VF3 to 3VF7

With different sizes of circuit-breaker, take account of mounting plane and edge lengths of the shafts.



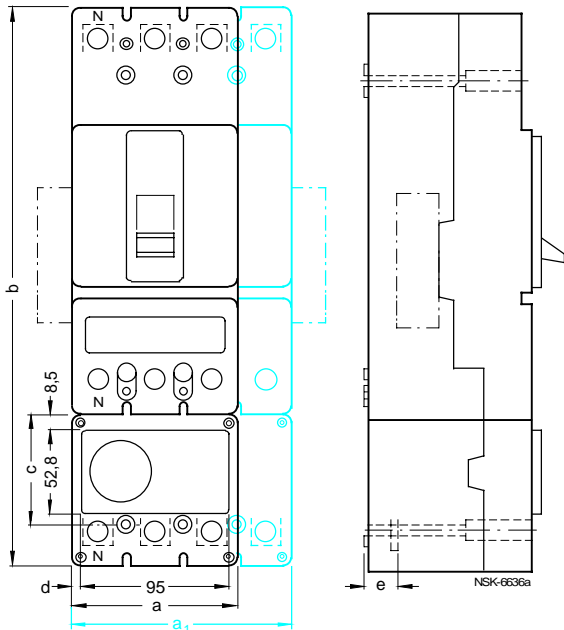
Type	A	A ₁	B	C	C ₁	D	E	X	Y
3VF3	325	360	70	35	70	87	8	220	70
3VF4	325	360	70	35	70	133	8	220	70
3VF5	360	403	87.5	52.5	95.5	133	8	220	92
3VF6	520	590	105	105	175	133.5	12	310	140
3VF7	520	590	141	69	139	145	12	310	140

4-pole version

3VF3 to 3VF8 Circuit-Breakers

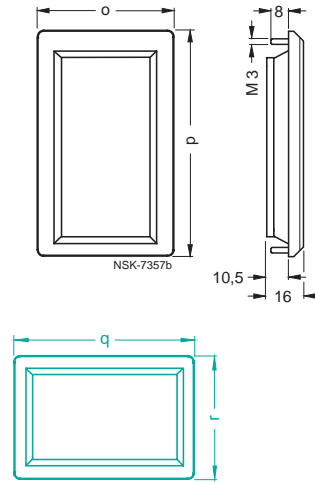
Accessories for 3VF circuit-breakers, 3- and 4-pole

3VF3 to 3VF5 circuit-breakers fixed-mounted with DI module

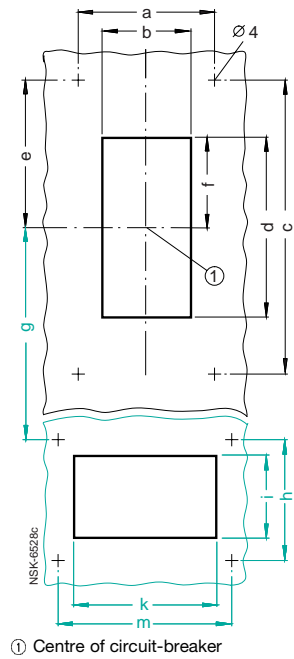


Type	a	a ₁	b	c	d	e
3VF3	105	140	238.5	66.5	5	21
3VF4	105	140	348	68	5	21
3VF5	140	183	351.5	72	22	24

Cover frame for door cutout for 3VF3 to 3VF8 circuit-breakers with or without DI module (only for 3VF3 to 3VF5 with DI module)



Door cutout for cover frame for 3VF3 to 3VF8 circuit-breakers with or without DI module (only for 3VF3 to 3VF5 with DI module)

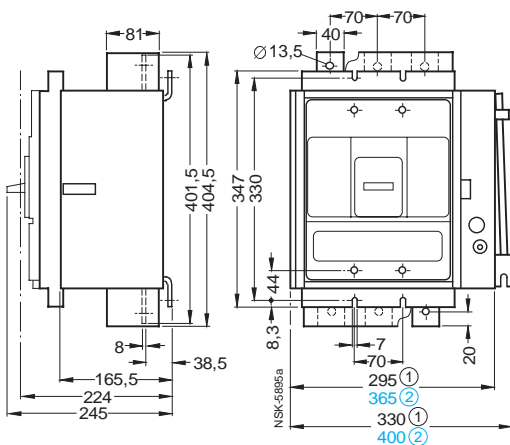


① Centre of circuit-breaker

Type	a	b	c	d	e	f	g	h	i	k	m
3VF3	71	55	137	120	68.5	60	71	81	73	108	118
3VF4	71	55	137	120	72.5	56.5	121.5	81	73	108	118
3VF5	118	106	137	120	75.5	67	124	81	73	110	118
3VF6	118	106	137	120	81.5	73	-	-	-	-	-
3VF7	118	106	137	120	37	28.5	-	-	-	-	-
3VF8	161	148	218	205	109	95.5	-	-	-	-	-

Type	o	p	q	r
3VF3	85	151	132	99
3VF4	85	151	132	99
3VF5	132	151	132	99
3VF6	132	151	-	-
3VF7	132	151	-	-
3VF8	174	231	-	-

3VF9 624-1GA.0 guide frame for front connection for 3VF6



- ① 3-pole version
- ② 4-pole version

— 4-pole version

Note: the 4th pole (N) is always on the left for 4-pole circuit-breakers!

3VF9 624-1GB.0 guide frame for rear connection for 3VF6

